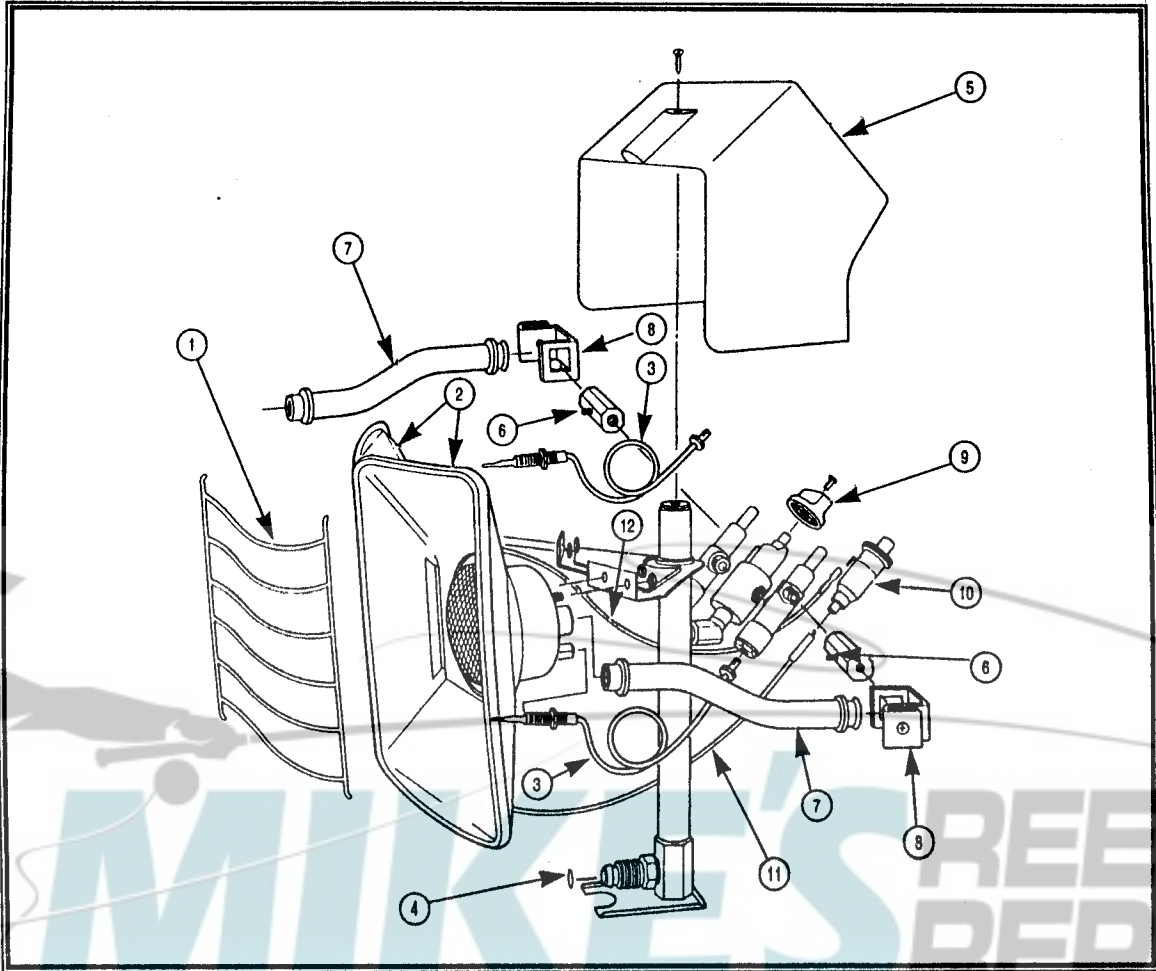


FIRST PRODUCTION - 1/92



DIMENSIONS	INPUT RATING
15" x 12" x 17"	30,000 BTUH

I.D.#	PART NUMBER	DESCRIPTION
1	5015-3151	Guard
2	5015-6311	Burner Assembly (Model 5030A701)
	5015-5311	Burner Assembly (Model 5030A751)
3	5015-3271	Thermocouple
4	5410B138	"O" Ring
5	5030A5191	Console (Model 5030A701)
	5030-5181	Console (Model 5030A751)
6	5477A218	Gas Tip
7	5030-1231	Air Tube
8	5015-1241	Bracket
9	5154A1491	Knob
10	5440A1501	Ignitor (Model 5030A751)
11	5030A3111	Electrode & Wire (Model 5030A751)
12	5030-3121	Electrode & Wire (Model 5030A751)