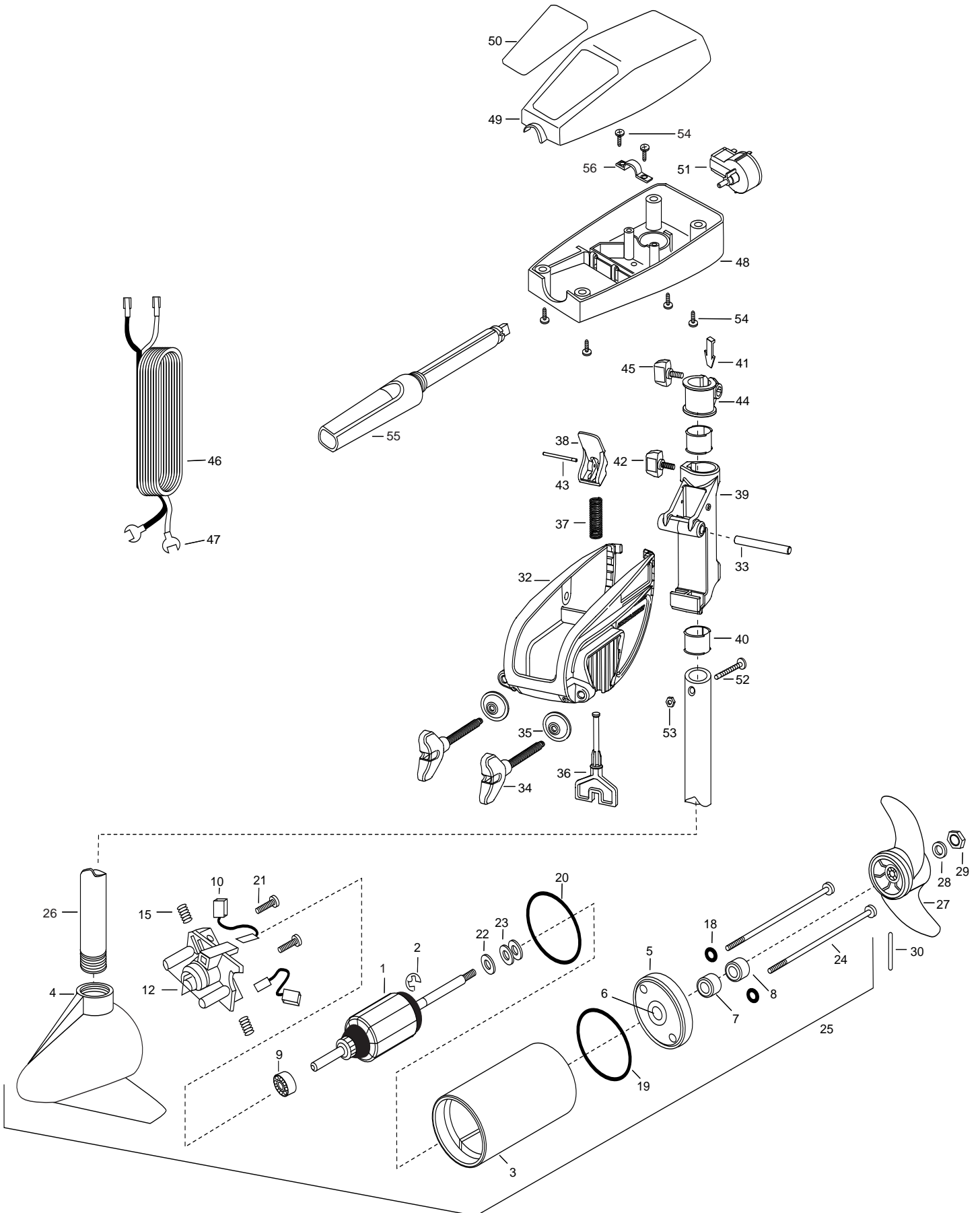


CLASSIC 28
12 VOLT 30AMPS
28 LBS THRUST
30" SHAFT

for use with "K" serial numbers
2-year warranty from the date of purchase



1	28834602-100-287	ARMATURE ASSEMBLY 12V 3.25	■	2991815	BRACKET & HINGE ASSEMBLY BLACK KNOB	54	2012100	SCREW-8-18 X 5/8 [6.EA]
2	788-015	RETAINING RING	■	2771910	BRACKET W/CLAMP SCREW ASSEMBLY	55	2030992	HANDLE ASSEMBLY CLASSIC 5 SPD
3	2-200-188	HOUSING ASSEMBLY CENTER 3.25 TXT			(INCL.32,34,35)	56	2010030	BEARING HANDLE CAP
4	2-300-142	HOUSING- BRUSH END	*32	2061910	BRACKET PLASTIC			
5	2-400-187	PLAIN END HOUSING ASSEMBLY	33	2060510	PIN-HINGE- ENDURA	■	2883460	SEAL & ORING KIT
6	144-049	FLANGE BEARING	*34	2061300	SCREW- CLAMP			(INCL. 7, 8, 18, 19, 20)
7	880-003	SEAL	*35	2011710	WASHER- CLAMP SCREW 1.5OD			
8	880-006	SEAL W/SHIELD	■	2881300	CLAMP SCREW, WASHER, RETAINER KIT			
9	144-010	BEARING-BALL	36	2063605	T-BAR PLASTIC			
10	188-052	BRUSH ASSEMBLY [2.EA]	37	2062706	SPRING- T-BAR ENDURA			
12	738-030	BRUSH PLATE WITH HOLDER 3.25	38	2067201	LEVER- TILT BLACK ENDURA			
15	975-032	SPRING COMPRESSION	39	2061810	HINGE-PLASTIC			
18	701-007	O-RING [2.EA]	40	2037301	BUSHING-HINGE [2.EA]			
19	701-039	O-RING MK406460	41	2062800	TENSION BLOCK- SNAP IN			
20	701-041	O-RING	42	2011385	SCREW-TENSION/NEW KNOB			
21	830-001	SCREW SELF THREAD 8-32X1.7 [2.EA]	43	2060515	PIN- TILT LEVER			
22	990-067	WASHER- STEEL	44	2061520	COLLAR-DEPTH ((ENDURA)			
23	990-070	WASHER- NYLATRON [2.EA]	45	2011365	SCREW-COLLAR/NEW KNOB			
24	830-062	THRU BOLT 8-32X8.0 [2.EA]	46	2020606	LEADWIRE-14GA FLAG TERM.			
25	2069270	MOTOR ASSEMBLY 12V 3.25 5SPC TXT	47	2020703	SPADE TERMINAL - 14 AWG [2EA]			
26	2032045	TUBE (COMPOSITE) 30" 7/8	48	2062542	CONTROL BOX			
■	1378121	PROP W/DRIVE PIN, WASHER, NUT KIT	49	2060255	CONTROL BOX COVER			
27	2061122	PROPELLER 3.25 HUB DIA	50	2035620	DECAL-COVER 28 CLASSIC TS			
28	2151726	WASHER- 5/16 STD SS	51	2064023	SWITCH-FWD/REV 5SP			
29	2053101	NUT- NYLOC MED 5/16 SS	52	2033400	SCREW-10-24 X 1-3/4			
30	2092600	PIN- DRIVE SS	53	2013110	NUT-10-24 HEX			

* This item is part of an assembly. This item cannot be sold separately due to machining and /or assembly that is required.

