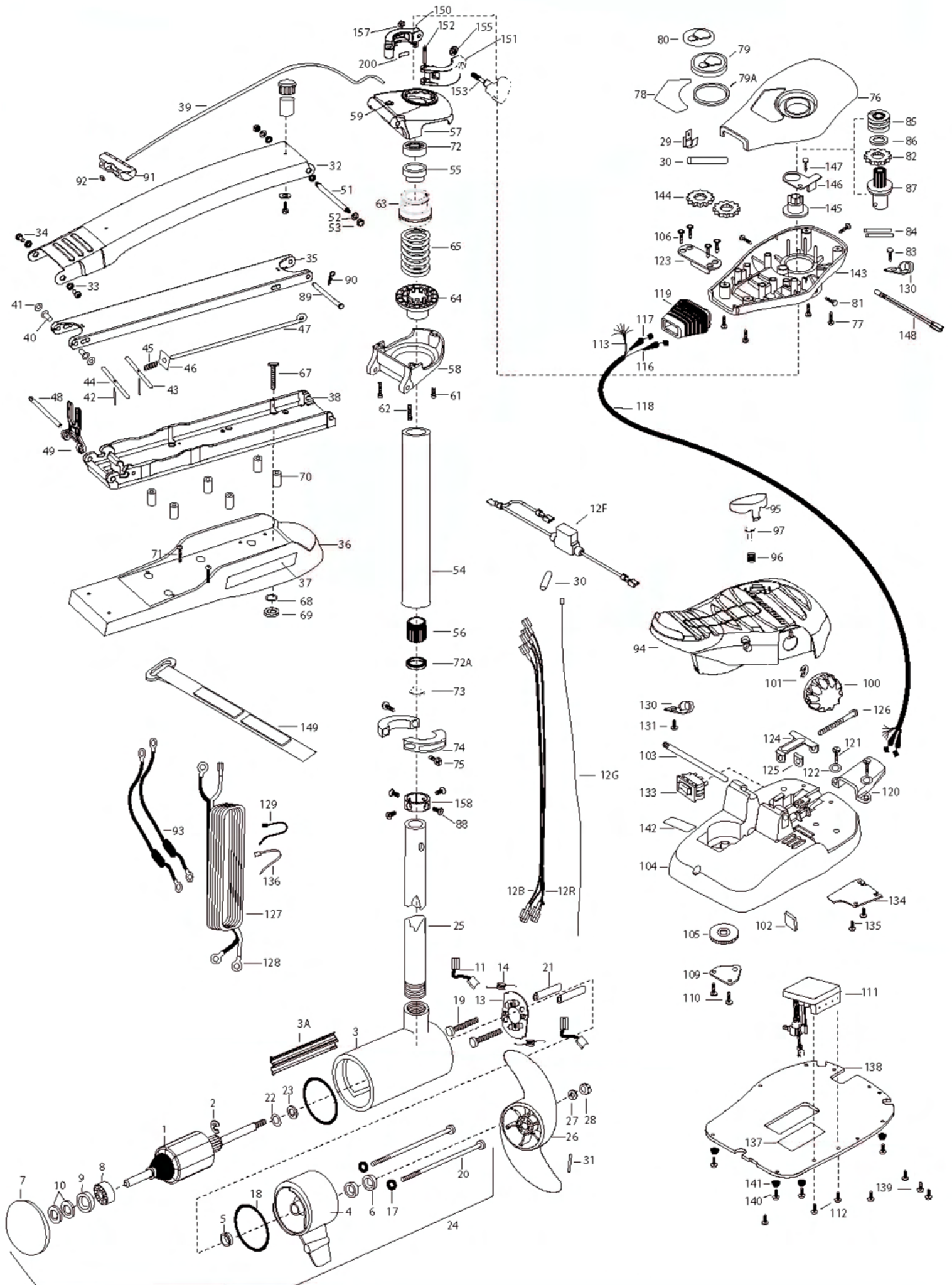


MAXXUM 101
101 lbs Thrust
36 Volt 46 Amps
52 & 62" SHAFT

for use with "K" serial numbers
2-year warranty from the date of purchase



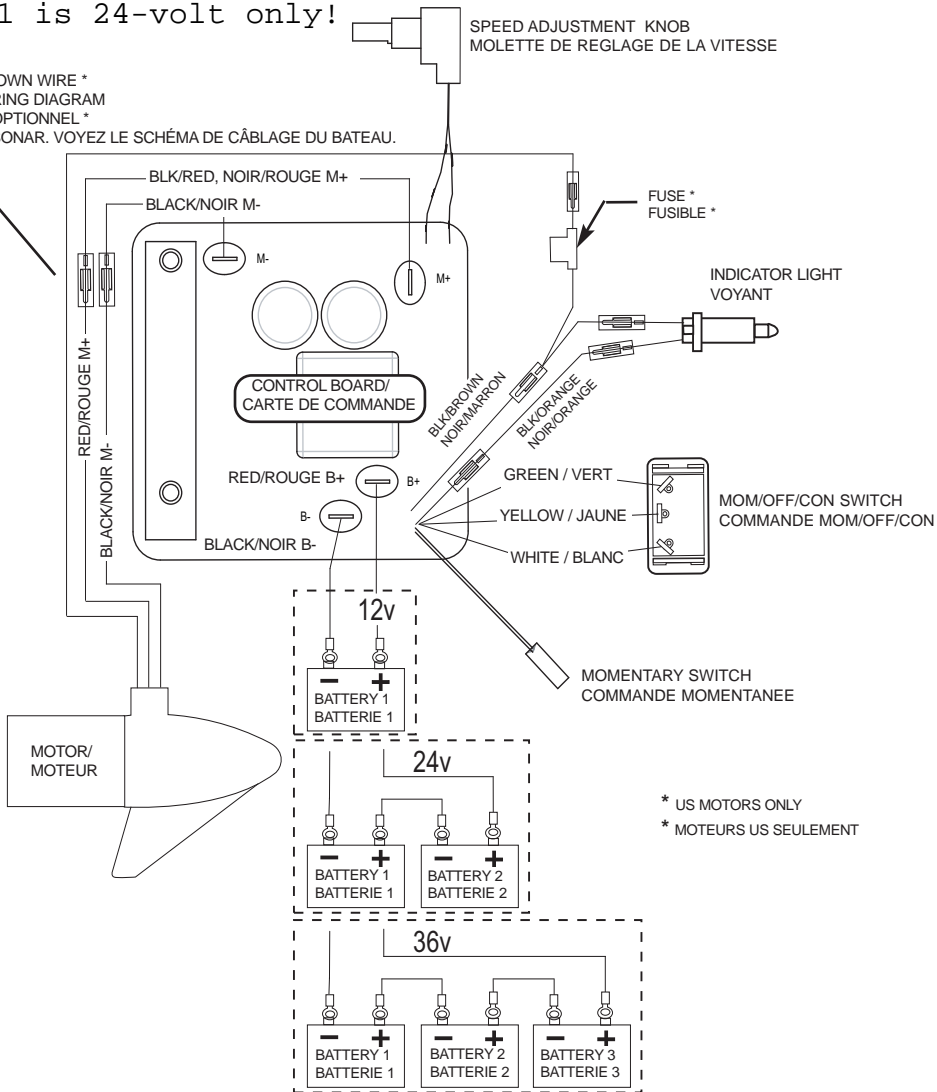
| | | | | | | | | |
|-----|-----------|--|-----|---------|---|-----|---------|---------------------------------------|
| 1 | 2-100-216 | ARMATURE ASSEMBLY 36V 4 VARS FW 101# | 48 | 2260506 | HINGE-PIN HEADLESS ZINC | 102 | 2266413 | TENSION SCREW PLATE FT |
| 2 | 788-040 | RETAINING RING | 49 | 2293811 | YOKE, MAXXUM MOUNT POLYPROPYLENE | 103 | 2260511 | PIN-PIVOT A/T FT PDL |
| 3 | 2-200-110 | CENTER HOUSING ASSEMBLY 4.0 FW TXT MAX | ■ | 2994841 | BAG ASSEMBLY- MAXXUM STABILIZER | 104 | 2992102 | FOOT PEDAL BASE/PIN ASSEMBLY |
| 3A | 582-014 | CLIP, RETAINING, US2 | 51 | 2262605 | PIN- BWGRD UPPER THREADED ZP | 105 | 2262301 | PULLEY FOOT PEDAL |
| 4 | 2-300-160 | BRUSH END HOUSING ASSEMBLY 4.0 FW TXT | 52 | 9908236 | WASHER 1/4 FLAT ZINC [2.EA] | 106 | 2223430 | SCREW- #8 X3/4" PPH TYPE 25 SS [4.EA] |
| 5 | 144-017 | BEARING -FLANGE (SERVICE ONLY) | 53 | 2223100 | NUT-TENSION 5/16-18 SS [2.EA] | 109 | 2266401 | COVER-PULLEY STAMPING |
| 6 | 880-025 | SEAL [2.EA] | ■ | 2772086 | TUBE W/BEARING RACE ASSEMBLY 52" | 110 | 2301310 | SCREW-8-18 X 1/2" SS [2.EA] |
| 7 | 421-276 | PLAIN END HOUSING ASSEMBLY 4.0 | | 2772087 | TUBE W/BEARING RACE ASSEMBLY 62" | 111 | 2264054 | CONTROL BOARD ASSEMBLY- MAX101 |
| | 9421-285 | PLAIN END HOUSING ASSEMBLY 4.0 US2 52" | 54 | 2272086 | TUBE OUTER -24" 4 HOLES 52" | 112 | 2223455 | SCREW 10-32 X 1/2 [2.EA] |
| | 9421-286 | PLAIN END HOUSING ASSEMBLY 4.0 US2 62" | | 2272087 | TUBE OUTER -34" 4 HOLES 62" | 113 | 2261220 | WIRE HARNESS MAX 101 |
| 8 | 140-010 | BALL BEARING | 55 | 2266260 | BEARING RACE- 565T | 116 | 2267505 | CABLE ASSEMBLY-RIGHT 5' |
| 9 | 990-045 | THRUST SPACER | 56 | 2267307 | BUSHING, OUTER TUBE | 117 | 2267515 | CABLE ASSEMBLY-LEFT 5' |
| 10 | 992-010 | SPRING WASHER | ■ | 2991763 | BOWGUARD ASSEMBLY-FT CTRL,MAX | 118 | 2265430 | CABLE JACKET 5' |
| 11 | 188-094 | BRUSH 4"W/TERMINAL [2.EA] | 57 | 2772319 | BRACKET BASE TOP/EYELET ASSEMBLY | 119 | 2265110 | BOOT-CONTROL BOX |
| 12B | 640-024 | BRUSH WIRE- BLACK 10 AWG 79" | 58 | 2771770 | BRACKET BOTTOM/BEARING ASSEMBLY | 120 | 2265115 | BOOT-BOOT PEDAL BASE |
| 12R | 640-131 | BRUSH WIRE- RED 10 AWG 80-1/2" | 59 | 2772352 | EYELET-ROPE KIT | 121 | 2372100 | SCREW-8-18 X 5/8",THDT [2.EA] |
| 12G | 640-316 | GROUND WIRE 52" (US MOTORS ONLY) | 61 | 2263423 | SCREW 5/16-18 X 1" SHCS ZINC | 122 | 2261714 | WASHER-MAXXUM FT PDL [2.EA] |
| | 640-317 | GROUND WIRE 62" (US MOTORS ONLY) | 62 | 2263425 | SCREW 5/16-18 X 2-1/2" SHCS [2.EA] | 123 | 2261901 | BRACKET-CONDUIT AT/MAX |
| 12F | 2218200 | FUSE HOLDER (US MOTORS ONLY) | 63 | 2071541 | SPRING-SLEEVE UPPER | 124 | 2263210 | BRACKET-CONDUIT ADJUST |
| 13 | 738-004 | BRUSH PLATE - 4" TERMINAL | 64 | 2071535 | SPRING SLEEVE, LOWER | 125 | 2263104 | NYLOCK KEEPER |
| 14 | 975-041 | SPRING -TORSION [2.EA] | 65 | 2262706 | SPRING, BOWGUARD, NIK | 126 | 2263466 | SCREW-1/4-20 X 2" STL PPH |
| 17 | 701-009 | O-RING -THRU BOLT [2.EA] | ■ | 2994830 | BAG ASSEMBLY-MAXXUM | 127 | 2261238 | LEADWIRE A/T VARIABLE |
| 18 | 701-043 | O-RING (2 REQ'D) | *67 | 2263431 | SCREW 1/4-20 X 3.5" PPH [6.EA] | 128 | 2020700 | TERMINAL RING, 3/8" [2.EA] |
| 19 | 830-027 | SCREW -SELF TREADED 10-32 X 2" [2.EA] | *68 | 2261713 | WASHER-1/4" FLAT S/S [6.EA] | 129 | 2256300 | TIE WRAP-5.5" BLACK |
| 20 | 830-096 | THRU BOLT 12-24 X 11.56" SS [2.EA] | *69 | 2263103 | NUT -NYLOCK JAM 1/4-20 S/S [6.EA] | 130 | 2263201 | CLAMP WIRE HARNESS MICRO [2.EA] |
| 21 | 973-025 | SPACER -BRUSH PLATE [2.EA] | ■ | 2994832 | BAG ASSEMBLY | 131 | 2332103 | SCREW-6-20 X 3/8" THD |
| 22 | 990-051 | WASHER-THRUST, STEEL | 70 | 2261505 | SPACER, MOTOR REST [6.EA] | 133 | 2254031 | SWITCH-MOM/OFF/COM |
| 23 | 990-052 | WASHER- NYLATRON | 71 | 2263434 | SCREW, 8-18 X 1" PPH [2.EA] | 134 | 2266412 | SWITCH PLATE, FT PEDAL |
| 24 | 2316285 | MOTOR ASSEMBLY 36V VARS TXT (52") | 72 | 2266000 | BEARING, BALL-STEEL | 135 | 2332103 | SCREW-6-20 X 3/8" THD [2.EA] |
| | 2316289 | MOTOR ASSEMBLY 36V VARS TXT (62") | 72A | 2266116 | BEARING, CARTRIDGE | 136 | 2256301 | TIE WRAP-5.5" WHITE [2.EA] |
| | 2326286 | MOTOR ASSEMBLY 36V VARS TXT US2 (52") | 73 | 2266001 | BEARING, SPLIT RING | 137 | 2365107 | INSULATING PAD 2.3 X 3.2" |
| | 2326287 | MOTOR ASSEMBLY 36V 4" VARS US2 (62") | 74 | 2261619 | COLLAR HALF-ZINC-2 PER | 138 | 2264511 | BOTTOM PLATE, MAX 101 |
| 25 | 2032006 | TUBE (COMP) W/4 HOLE 52" | 75 | 2263452 | SCREW- 1/4-20X3/4 SHCP SS [2.EA] | 139 | 2372100 | SCREW-8 X 5/8" SS [5.EA] |
| | 2032007 | TUBE (COMP) W/4 HOLE 62" | 76 | 2260283 | CONTROL BOX COVER-MAX | 140 | 2263455 | SCREW #12-14 X 1/2" THR FRM [4.EA] |
| ■ | 1378132 | PROPELLER KIT | 77 | 2372100 | SCREW-8-18 X 5/8" THDT [4.EA] | 141 | 2265126 | BUMPER PAD, FOOT PEDAL [4.EA] |
| 26 | 2331160 | PROPELLER (W.WEDGE 2) | 78 | 2265663 | DECAL COVER, MAXXUM 101 | 142 | 2266610 | DECAL-ON/OFF SWITCH |
| 27 | 2091701 | WASHER-PROP (LARGE) MAX 101 | | 2265651 | DECAL COVER, MAXXUM 101/SONAR | 143 | 2262535 | CONTROL BOX-PLASTIC |
| 28 | 2093101 | NUT-PROP (LARGE) MAX 101 | 79 | 2260150 | POINTER DISC TRNSLNT | 144 | 2267800 | GEAR-INDICATOR [2.EA] |
| 29 | 2020713 | TERMINAL- ADAPTOR MAX50/S | 79A | 2261733 | WASHER-FOAM, INDICATOR | 145 | 2262220 | INDICATOR-DRIVE |
| 30 | 2335400 | SHRINK TUBE 1/4ODX2" [2.EA] | 80 | 2265800 | DECAL-INDICATOR | 146 | 2261905 | BRACKET/INDICATOR |
| 31 | 2262658 | PROP PIN | 81 | 2053414 | SCREW-8-32 X 1/2" TRI-LOBE [3.EA] | 147 | 2301310 | SCREW-8-18 X 1/2" SS |
| ■ | 2991841 | MOUNT, BOW ASSEMBLY W/O BGRD FW MAX | 82 | 2267800 | GEAR INDICATOR | 148 | 2264015 | LIGHT/INDICATOR |
| 32 | 2264246 | ARM-UPPER FW LG | 83 | 2372100 | SCREW-8-18 X 5/8" SS | 149 | 2263802 | STRAP- HOLD DOWN 30.5 VELCRO |
| 33 | 2293501 | BUSHING, STAINLESS STEEL [4.EA] | 84 | 2355410 | SHRINK TUBE-3/8 OD X 2" [2.EA] | ■ | 2991550 | CLAMP COLLAR ASSEMBLY |
| 34 | 2263500 | BOLT, SHOULDER [2.EA] | 85 | 2232360 | PULLEY-CABLE DRUM | 150 | 2071550 | CLAMP COLLAR "A" |
| 35 | 2774317 | ARM-LOWER ASSEMBLY, LG, FW EXTR | 86 | 2261730 | WASHER-NYLON A/T | 151 | 2071555 | CLAMP COLLAR "B" |
| 36 | 2263913 | MOTOR REST LONG, MAXXUM | 87 | 2996247 | TOP BEARING RACE /PINION DRIVE ASSEMBLY | 152 | 2072621 | PIN-KNURLED |
| 37 | 2265514 | DECAL- MOTOR REST [2.EA] | 88 | 2223468 | SCREW-8-32 X 7/16" ZINC PLATE [4.EA] | 153 | 2281505 | KNOB-CLAMP COLLAR |
| 38 | 2773986 | BOWPLATE, LG FW /INSERT | 89 | 2262607 | PIN - CLEVIS ZP MAX BG | 155 | 2071718 | WASHER #10 NYLON RETAINING |
| 39 | 2251601 | ROPE 40" MAXXUM | 90 | 2260805 | CLIP-SPRING ZP MAX BG | 157 | 2073102 | NUT - HEX 1/4 - 28 SS |
| 40 | 2267318 | BEARING NYLINER [2.EA] | 91 | 2150400 | PULL-GRIP | 158 | 2071560 | SPLIT COLLAR |
| 41 | 2261708 | WASHER-3/8 X 1/2 X.010" SS [2.EA] | 92 | 2151700 | WASHER-EYE SHAFT .562" | 159 | 2211410 | EXTENSION CABLE US2 |
| 42 | 2152610 | SPRING-PIN (LOCKBAR) [2.EA] | 93 | 2998200 | CIRCUIT BREAKER ASSEMBLY 36V-101 [2.EA] | 200 | 2075120 | URETHANE PAD |
| 43 | 2233600 | LOCK BAR- (BOW MOUNT) | 94 | 2994496 | FOOT PEDAL/PLUG ASSEMBLY | | | |
| 44 | 2233602 | LOCK BAR, REAR - ZINC | 95 | 2993705 | PUSH-BUTTON MAGNET ASSEMBLY | | | |
| 45 | 2152700 | SPRING -LOCKBAR | 96 | 2302732 | SPRING-LOWER PEDAL SS | | | |
| 46 | 2262703 | SPRING STOP | 97 | 2260810 | CLIP, REED SWITCH | | | |
| 47 | 2153604 | EYE SHAFT -2LOCKBAR STD PLTD | 100 | 2280115 | KNOB-SPEED CONTROL | | | |
| | | | 101 | 2263000 | E-RING TRU-ARC#5133-43 | | | |

* This item is part of an assembly. This item cannot be sold separately due to machining and /or assembly that is required.

P/N2274966 REV. T ECN 31343 2-09

Maxxum 101 is 24-volt only!

OPTIONAL BROWN WIRE *
SEE BOAT WIRING DIAGRAM
FIL MARRON OPTIONNEL *
ÉQUIPÉS DE SONAR. VOYEZ LE SCHÉMA DE CÂBLAGE DU BATEAU.



* US MOTORS ONLY

* MOTEURS US SEULEMENT