

In the U.S.A., replacement parts may be ordered directly from CANNON Parts Dept., 121 Power Drive, Mankato, Minnesota 56001. In Canada, parts may be ordered from any of the Canadian Authorized Service Centers shown on the enclosed list. Be sure to provide the MODEL and SERIAL numbers of your downrigger when ordering parts. Please use the correct part numbers from the parts list. Payment for any parts ordered from the CANNON parts department, may be by cash, personal check, Discover Card, MasterCard or VISA. To order, call 1-800-227-6433 or FAX 1-800-527-4464.

1	3392500	FRAME - LARGE BLACK (LEXAN)	38	4421002	COVER - GEAR CASE	75	2277002	>UNIVERSAL LINE RELEASE
2	5527004	NOSE DECAL DTIV	39	2372100	SCREW - #8 x 5/8" PPHMS [5.EA]	76	3998600	>UNI-STACKER RELEASE
3	9040040	HOOK - 1/4" - 20 ROLLED	40	9010310	WASHER - THRUST [2.EA]	77	3992300	SWIVEL HEAD ASSEMBLY
4	2263102	NUT - HEX 1/4"-20	41	9010280	BEARING - THRUST	78	0267001	▶SIDE PLATE (RH)
5	9280750	SCREW - 1/4" - 20 (RH) x 3/4" PPH	42	2998906	KNOB BRAKE	79	0267002	▶SIDE PLATE (LH)
6	0849615	BASE LOCK KNOB	43	0649001	▶KNOB - HAND ADJUST	80	0269726	▶PULLY - SWIVEL HEAD
7	9040340	BOLT - 3/8"-16 X 1-1/2" HEX	44	9130390	▶NUT - KNURLED INSERT 3/8"-24	81	3397300	▶WASHER - .735 OD X .36 ID
8	9010001	BEARING - REEL SHAFT NYLINER [2.EA]	45	1479070	O-RING - REEL SHAFT	82	9010070	▶HDW BEARING BRASS[2.EA]
9	9430210	WASHER - 1-1/16" OD X 7/8" ID (NYLON)	46	9370205	SCREW - 1/4" x 3/4" HEX WASH HD [3.EA]	83	2227820	BOOM END - TELESCOPIC (LEXAN)
10	0274731	REEL - MACHINED 3.75"	47	3993200	POWER CABLE ASSEMBLY	84	1007334	MOUNTING BASE (LEXAN)
11	1459666	REEL MAGNET [2.EA]	48	3393200	>POWER CABLE - BATTERY	85	2994893	*BAG ASSEMBLY, MOUNTING (KIT #3)
12	1480071	SHAFT - REEL	49	3393201	>CAP - POWER CABLE - BATTERY	86	2263102	NUT - HEX 1/4"-20 [4.EA]
13	9340131	SCREW - SET 5/16"-18 x 1-3/4" (REEL)	50	3393202	>POWER CABLE - MOTOR	87	2371712	WASHER - 9/32" FLAT [4.EA]
14	3775397	SPOOL CABLE (S/S) [400.FT]	51	3393210	>CAP - POWER CABLE - MOTOR	88	9100100	TERMINATOR
15	9100070	CABLE LEADER SLEEVE [2.EA]	52	3391000	ASSY, MOTOR 12V DC	89	9100101	TERMINATOR CUSHION
16	3396506	MOTOR HOUSING - DTIV (LEXAN)	53	1497070	GEAR - WORM MOTOR	90	9100620	TERMINATOR SNAP & SWIVEL
17	1497071	LENSE - WINDOW DISPLAY	54	9250001	PIN - MOTOR, 3/32" X 3/4" ROLL SS	91	9280725	BOLT - TRUSS 1/4" - 20 x 2-1/2" [8.EA]
18	3394010	KEYPAD - DTIV	55	700032	TERMINAL - MOTOR, FEM 12-10 [2.EA]	92	9370010	SCREW - #4 x 1/2" PPH [3.EA]
19	3395702	DECAL - POSITIVE ION CONTROL	56	9010002	BEARING - MOTOR SHAFT	93	9950357	WASHER - LOCK 1/4" SPLIT [4.EA]
20	3395703	DECAL - PIC KNOB DIAL	57	2263112	NUT - HEX #10-32 BZ	94	2210821	TELESCOPIC BOOM
21	050215	POSITIVE ION CONTROL POT	58	1421072	COVER - MOTOR HOUSING (LEXAN)	95	2219822	>BASE TUBE CLAMP
22	611005	KNOB - POSITIVE ION CONTROL	59	3393400	SCREW - #8-18 x 1-1/4" PPHMS SS [6.EA]	96	2219823	>MID TUBE CLAMP
23	700176	CAP - CONNECTION PORT [3.EA]	60	701-007	O-RING - SMALL	97	2222825	>MID TUBE COLLET
24	609145	CABLE ASSY - DTIV TRANSDUCER	61	2332103	SCREW-#6-20 X 3/8"	98	2222826	>BASE TUBE COLLET
25	609147	CABLE ASSY - DTIV SERIAL (DATA IN)	62	3395630	DECAL - CANNON LARGE [2.EA]	99	2290828	▶BOOM BASE TUBE (BLACK)
26	609148	CABLE ASSY - DTIV SERIAL (DATA OUT)	63	3991902	BAG ASSY - DUAL REAR ROD HOLDER	100	2290829	▶BOOM MID TUBE (BLACK)
27	3394005	CONTROL BOARD - DTIV	64	0290796	>TUBE - ROD HOLDER [2.EA]	101	2290830	▶BOOM END TUBE (BLACK)
28	3398205	CIRCUIT BREAKER - 30 AMP	65	2151726	>WASHER - 5/16" FLAT	102	2998905	SWIVEL BASE
29	1221491	CIRCUIT BREAKER BOOT	66	2383106	>NUT - 5/16"-18 SS [3.EA]	103	2249001	>KNOB - RELEASE PIN (LEXAN)
30	1296831	WIRE - CIRCUIT BREAKER JUMPER (RED)	67	2411386	>POST - REAR MOUNT (LEXAN)	104	2267001	>BASE PLATE (LEXAN)
31	1480070	SHAFT - DRIVE	68	2411390	>BRACKET - DUAL ROD (LEXAN)	105	2267002	>SWIVEL PLATE (LEXAN)
32	9250002	PIN - DRIVE SHAFT 3/16" ROLL SS	69	2419470	>CLAMP - ROD HOLDER [2.EA]	106	3391919	>INDEXING PLATE (TAPPED)
33	3391991	BRAKE PLATE - REEL	70	3319005	>CLAMP - ROD HOLDER w/ SLOT	107	2277001	>NUT - RETAINER RELEASE
34	3391710	CLUTCH PAD	71	3325002	>DISK - ROD HOLDER	108	2287002	>SPRING - RELEASE PIN
35	1433074	GEAR - DRIVER WORM	72	9040310	>BOLT - HEX 5/16"-18 x 2" [3.EA]	109	2372100	>SCREW - #8 x 5/8" PPHMS [2.EA]
36	9010003	BEARING - DRIVE SHAFT NYLINER	73	9340101	>SCREW - SET 3/8"-16 x 5/8" [2.EA]	110	3392600	>RELEASE PIN
37	9400005	SPRING - SHAFT CONTACT	74	9430160	>WASHER - STAR 5/16" [3.EA]	111	9010004	>BEARING - SWIVEL BASE [2.EA]

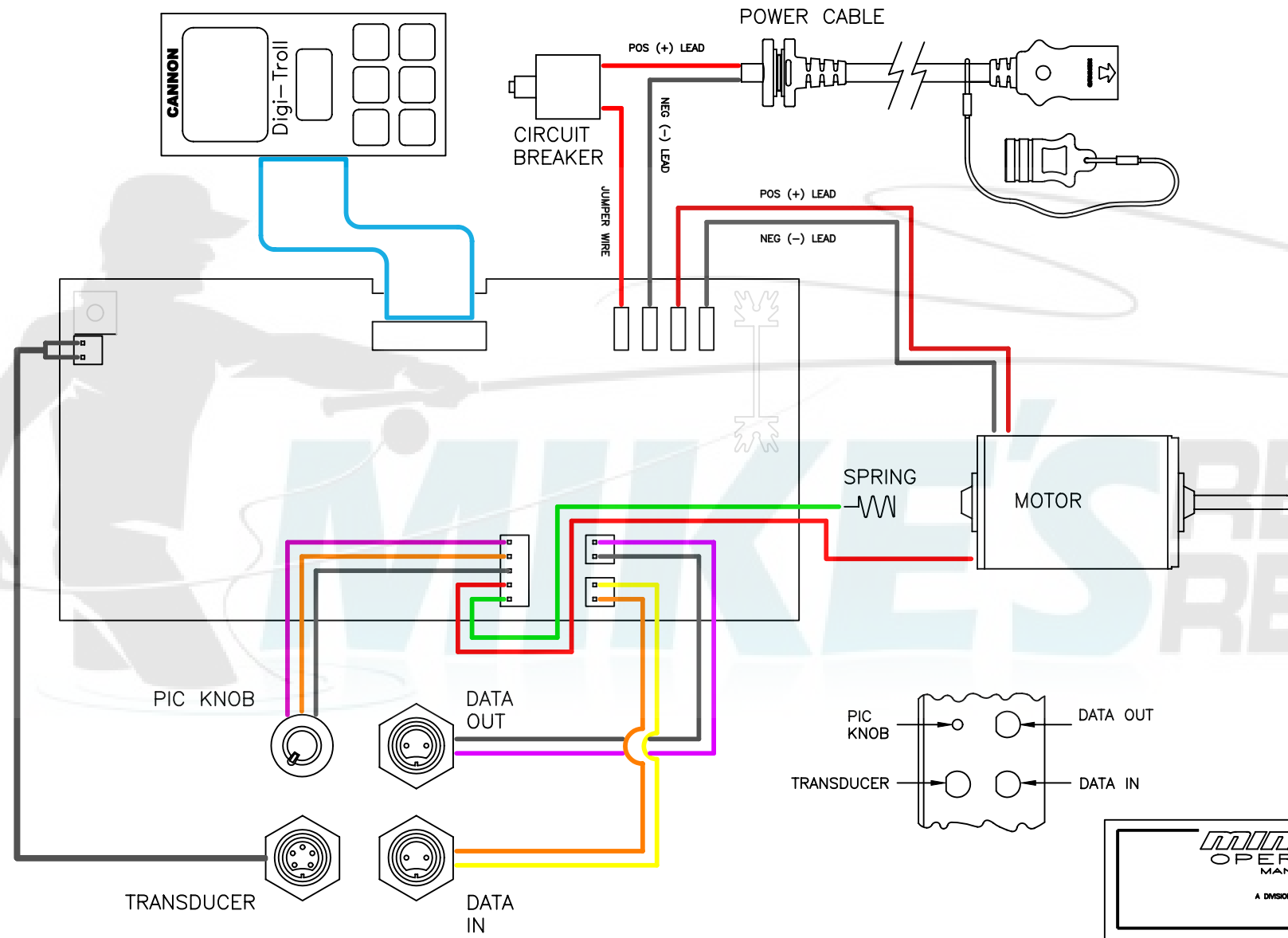
> PART OF ASSEMBLY

▶ITEM CANNOT BE SOLD SEPARATELY

\* PARTS USED BUT NOT SHOWN

PART NO: 339-8100

REVISIONS					
REV.	ECN NO.	DESCRIPTION	BY	DATE	APP'D BY
A	15412	RELEASED	JLL	10/18/06	DJ

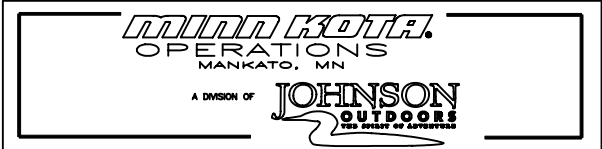


**TOLERANCES:**  
 UNLESS OTHERWISE SPECIFIED  
 .XXX ±.0010  
 .XX ±.005  
 .X ±.010  
 .X ±.015  
 FRACTIONAL ± 1/64  
 ANGULAR DIMENSIONS ± 0°30'

**CONFIDENTIAL PROPERTY—**  
 This document is the confidential property of Johnson Outdoors and is loaned subject to return upon demand. Title to same is never sold/transferred for any reason. This document is to be used only pursuant to written instructions of Johnson Outdoors. All rights to designs and inventions are reserved by Johnson Outdoors. Possession of this document is accepted subject to the foregoing.

**THIRD ANGLE PROJECTION**

DRAWN BY: JLL  
 DATE: 10/18/06  
 APP'D BY: DJ  
 DATE: 10/18/06  
 CHECKED BY: DJ  
 DATE: 10/18/06



FINISH: NONE	PART NAME: DT4 WIRING DIAGRAM	A SIZE
MATERIAL: NONE	RELEASED ECN# 15412	REV: A
	PART NO.: 339-8100	
	SCALE: NONE	U/M: IN.

D  
C  
B  
A

4 3 2 1

4 3 2 1