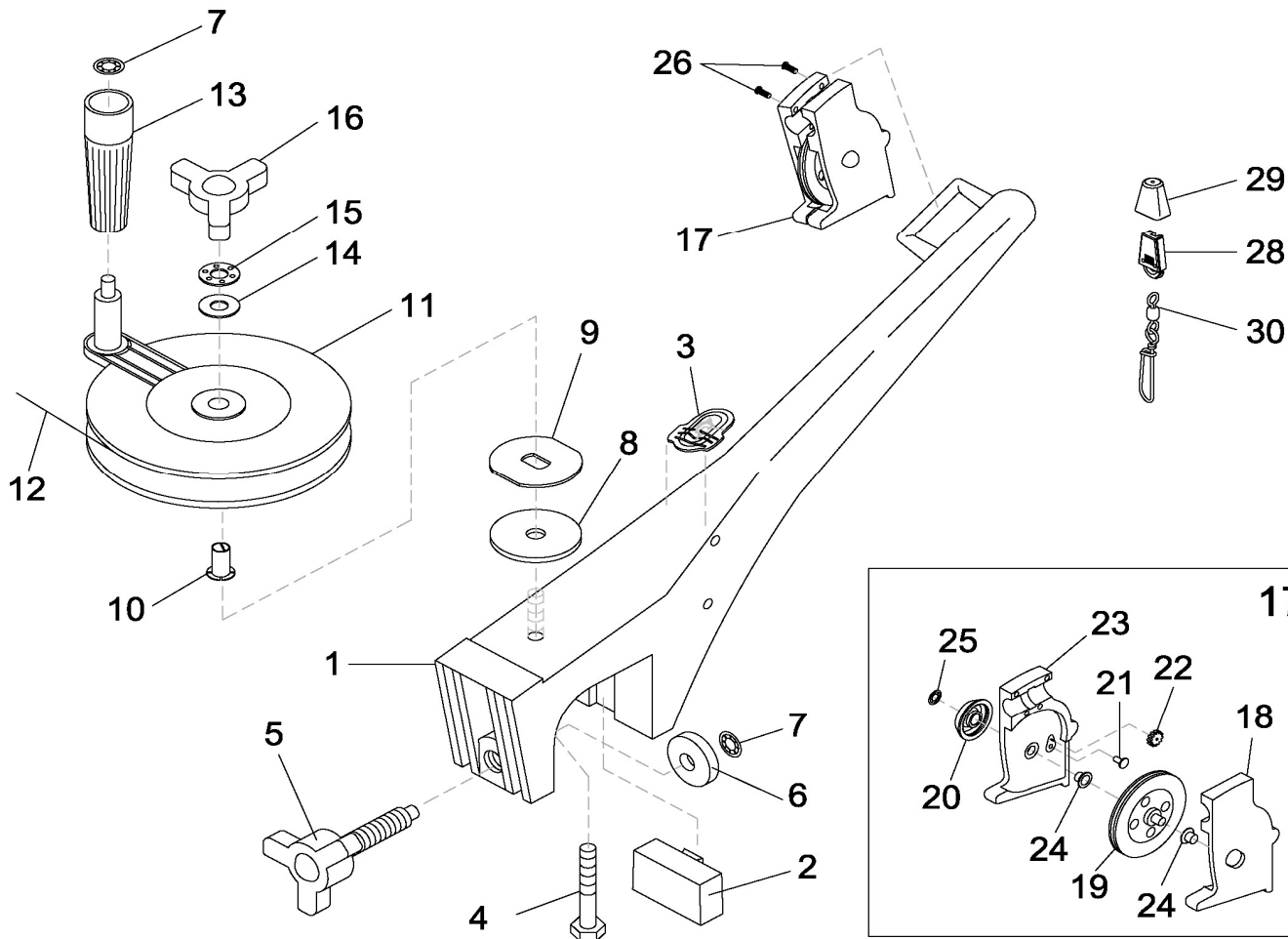




MINI-TROLL™
 for use with "AH" serial numbers



1	0330001	MINI TROLL FRAME	16	0349002	SPOOL ADJUST KNOB
2	3391500	SPACER BLOCK	17	0444001	SWIVEL HEAD ASSEMBLY W/ COUNTER
3	0327001	DECAL - NOSE, MINI-TROLL	18	0267001	▶SIDE PLATE (RH)
4	9040380	HEX HEAD BOLT 3/8"-24 x 2" LONG	19	0269726	▶PULLY - SWIVEL HEAD
5	2998902	KNOB AND CLAMP SCREW ASSEMBLY	20	0325002	▶COUNTER - SWIVEL HEAD
6	9100010	CLAMP PAD	21	0333001	▶GEAR - INTERMEDIATE, SWIVEL HEAD
7	9100690	RETAINING RING - PUSH ON [2.EA]	22	0333002	▶GEAR - REDUCTION, SWIVEL HEAD
8	1264670	CLUTCH PAD	23	0367004	▶SIDE PLATE (LH), W/ COUNTER
9	0367002	CLUTCH PLATE	24	9010070	▶HDW BEARING BRASS[2.EA]
10	9010512	SPOOL BEARING - NYLINER	25	9100690	▶CLAMP - RING, PUSH ON
11	0387001	REEL - MINI TROLL	26	9370010	PHILLIPS PAN HEAD SCREW #4 x 1/2"
12	3775392	SPOOL CABLE SS [150.FT]	27	2994890	*BAG ASSEMBLY - MOUNTING, MINITROLL
13	0240591	CRANK HANDLE	28	9100100	TERMINATOR
14	9010310	WASHER - THRUST	29	9100101	TERMINATOR CUSHION
15	9010280	BEARING - THRUST	30	9100620	TERMINATOR SNAP & SWIVEL

> PART OF ASSEMBLY

▶ ITEM CANNOT BE SOLD SEPARATELY

* PARTS USED BUT NOT SHOWN