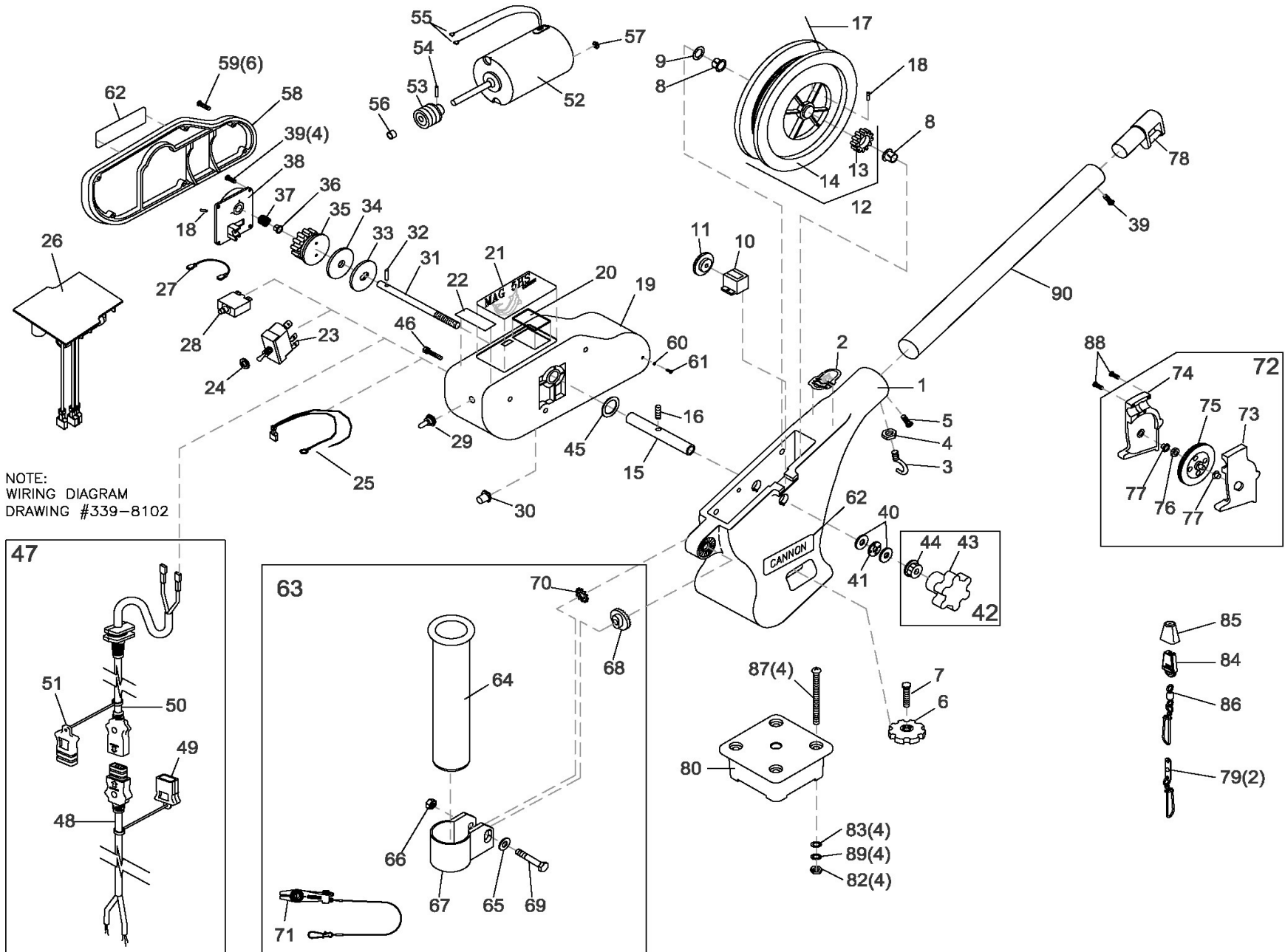




For Parts and Service
Call 1-888-404-1119
www.mikesreelrepair.com

MAG 5 HS™
for use with "AH" serial numbers



NOTE:
WIRING DIAGRAM
DRAWING #339-8102

| | | | | | | | | |
|----|---------|---------------------------------------|----|---------|---|----|---------|------------------------------------|
| 1 | 3392500 | FRAME - LARGE BLACK (LEXAN) | 31 | 1480070 | SHAFT - DRIVE | 61 | 2332103 | SCREW-#6-20 X 3/8" |
| 2 | 4427005 | NOSE DECAL MAGNUM | 32 | 9250002 | PIN - DRIVE SHAFT 3/16" ROLL SS | 62 | 3395630 | DECAL - CANNON LARGE [2.EA] |
| 3 | 9040040 | HOOK - 1/4" - 20 ROLLED | 33 | 0467695 | BRAKE PLATE - REEL | 63 | 2477001 | BAG ASSY - SINGLE ROD HOLDER |
| 4 | 2263102 | NUT - HEX 1/4"-20 | 34 | 1264670 | CLUTCH PAD | 64 | 0290796 | >TUBE - ROD HOLDER |
| 5 | 9280750 | SCREW - 1/4" - 20 (RH) x 3/4" PPH | 35 | 1433074 | GEAR - DRIVER WORM | 65 | 2151726 | >WASHER - 5/16" FLAT |
| 6 | 0849615 | BASE LOCK KNOB | 36 | 9010003 | BEARING - DRIVE SHAFT NYLINER | 66 | 2383106 | >NUT - 5/16"-18 SS |
| 7 | 9040340 | BOLT - 3/8"-16 X 1-1/2" HEX | 37 | 9400005 | SPRING - SHAFT CONTACT | 67 | 3319005 | >CLAMP - ROD HOLDER w/ SLOT |
| 8 | 9010001 | BEARING - REEL SHAFT NYLINER [2.EA] | 38 | 4421002 | COVER - GEAR CASE | 68 | 3325002 | >DISK - ROD HOLDER |
| 9 | 9430210 | WASHER - 1-1/16" OD X 7/8" ID (NYLON) | 39 | 2372100 | SCREW - #8 x 5/8" PPHMS [5.EA] | 69 | 9040310 | >BOLT - HEX 5/16"-18 x 2" |
| 10 | 0220477 | DEPTH COUNTER - 3 DIGIT | 40 | 9010310 | WASHER - THRUST [2.EA] | 70 | 9430160 | >WASHER - STAR 5/16" |
| 11 | 0833561 | GEAR - COUNTER | 41 | 9010280 | BEARING - THRUST | 71 | 2277002 | >UNIVERSAL LINE RELEASE |
| 12 | 0274000 | REEL ASSEMBLY - HS ELECTRIC | 42 | 2998906 | KNOB BRAKE | 72 | 3992300 | SWIVEL HEAD ASSEMBLY |
| 13 | 0233560 | >GEAR REEL | 43 | 0649001 | ►KNOB - HAND ADJUST | 73 | 0267001 | ►SIDE PLATE (RH) |
| 14 | 0274731 | ►REEL - MACHINED 3.75" | 44 | 9130390 | ►NUT - KNURLED INSERT 3/8"-24 | 74 | 0267002 | ►SIDE PLATE (LH) |
| 15 | 1480071 | SHAFT - REEL | 45 | 1479070 | O-RING - REEL SHAFT | 75 | 0269726 | ►PULLY - SWIVEL HEAD |
| 16 | 9340131 | SCREW - SET 5/16"-18 x 1-3/4" (REEL) | 46 | 9370205 | SCREW - 1/4" x 3/4" HEX WASH HD [3.EA] | 76 | 3397300 | ►WASHER - .735 OD X .36 ID |
| 17 | 3775394 | SPOOL CABLE SS [250.FT] | 47 | 3993200 | POWER CABLE ASSEMBLY | 77 | 9010070 | ►HDW BEARING BRASS[2.EA] |
| 18 | 9100070 | CABLE LEADER SLEEVE [2.EA] | 48 | 3393200 | >POWER CABLE - BATTERY | 78 | 2216403 | BOOM END (LEXAN) |
| 19 | 3396552 | MOTOR HOUSING - MAG 5 (LEXAN) | 49 | 3393201 | >CAP - POWER CABLE - BATTERY | 79 | 2200148 | SNAP & INSULATOR [2.EA] |
| 20 | 1497071 | LENSE - WINDOW DISPLAY | 50 | 3393202 | >POWER CABLE - MOTOR | 80 | 1007334 | MOUNTING BASE (LEXAN) |
| 21 | 3395612 | DECAL - LARGE, MAG 5 HS | 51 | 3393210 | >CAP - POWER CABLE -MOTOR | 81 | 2994892 | *BAG ASSEMBLY, MOUNTING (KIT #2) |
| 22 | 3395702 | DECAL - POSITIVE ION CONTROL | 52 | 1458001 | MOTOR 12V DC | 82 | 2263102 | NUT - HEX 1/4"-20 [4.EA] |
| 23 | 2286792 | SWITCH - UP/DN CONTROL | 53 | 1497070 | GEAR - WORM MOTOR | 83 | 2371712 | WASHER - 9/32" FLAT [4.EA] |
| 24 | 2286793 | WASHER - SHIM .750 x .1 UP/DN SWITCH | 54 | 9250001 | PIN - MOTOR, 3/32" X 3/4" ROLL SS | 84 | 9100100 | TERMINATOR |
| 25 | 050176 | CABLE ASSY - MAG 5 (SHORT STOP) | 55 | 700032 | TERMINAL - MOTOR, FEM 12-10 [2.EA] | 85 | 9100101 | TERMINATOR CUSHION |
| 26 | 050175 | CONTROL BOARD - MAG 5 | 56 | 9010002 | BEARING - MOTOR SHAFT | 86 | 9100620 | TERMINATOR SNAP & SWIVEL |
| 27 | 1296831 | WIRE - CIRCUIT BREAKER JUMPER (RED) | 57 | 2263112 | NUT - HEX #10-32 BZ | 87 | 9280730 | BOLT - TRUSS 1/4" - 20 x 4" [4.EA] |
| 28 | 3398205 | CIRCUIT BREAKER - 30 AMP | 58 | 1421070 | COVER - MOTOR HOUSING (LEXAN) | 88 | 9370010 | SCREW - #4 x 1/2" PPH [3.EA] |
| 29 | 1221490 | UP/DN SWITCH BOOT | 59 | 3393400 | SCREW - #8-18 x 1-1/4" PPHSMS SS [6.EA] | 89 | 9950357 | WASHER - LOCK 1/4" SPLIT [4.EA] |
| 30 | 1221491 | CIRCUIT BREAKER BOOT | 60 | 701007 | O-RING - SMALL | 90 | 2290828 | 24" BOOM - HEAVY DUTY |

> PART OF ASSEMBLY

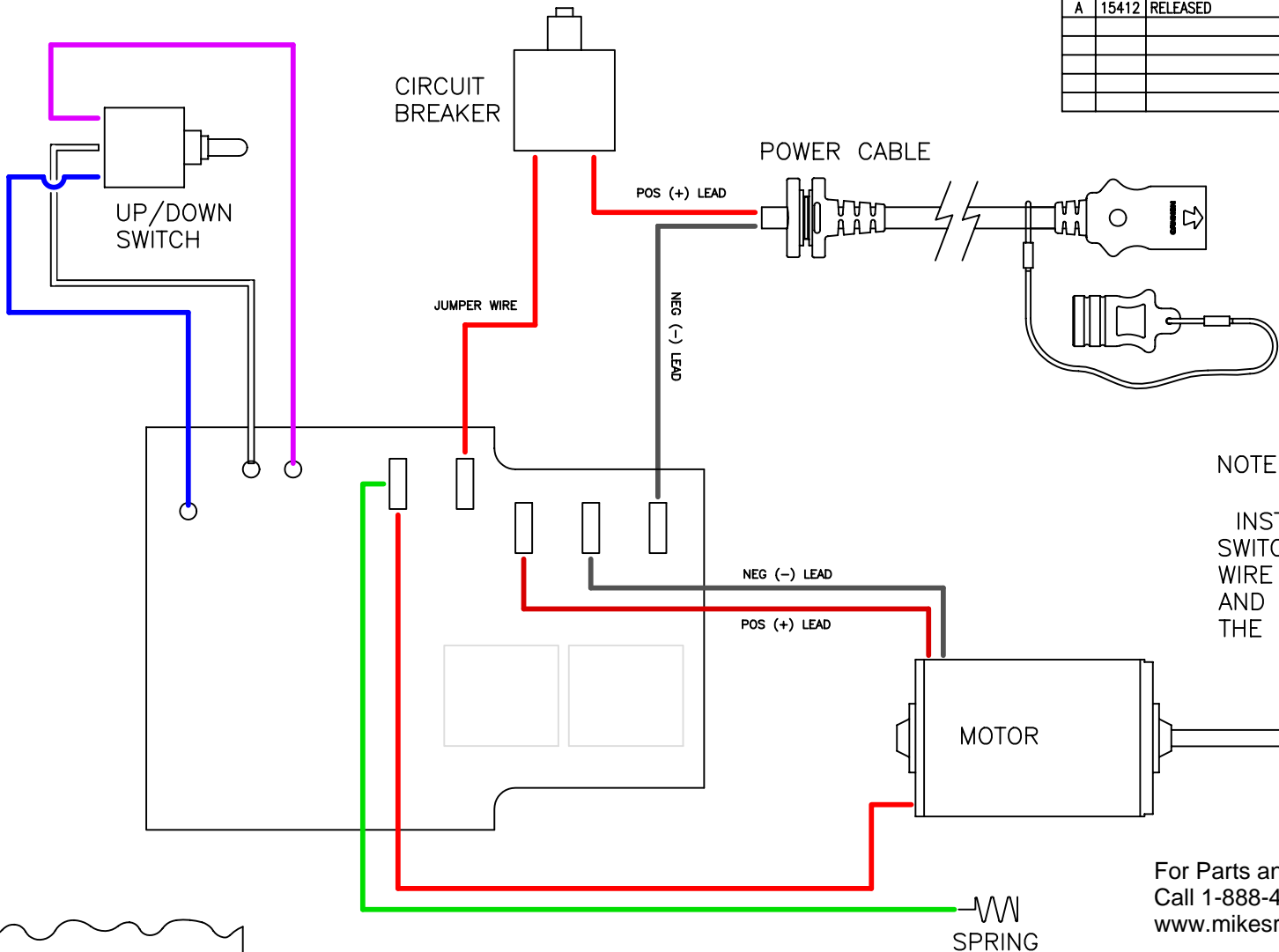
► ITEM CANNOT BE SOLD SEPARATELY

* PARTS USED BUT NOT SHOWN

For Parts and Service
Call 1-888-404-1119
www.mikesreelrepair.com

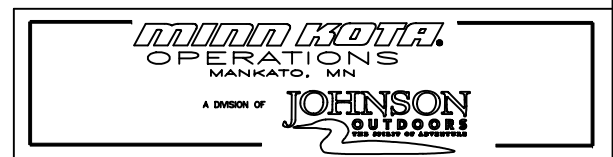
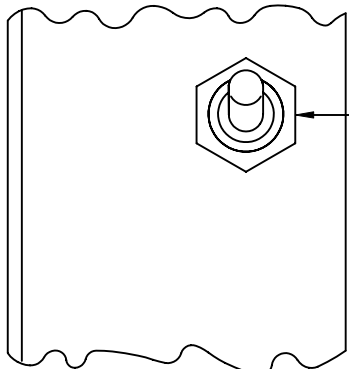
PART NO: 339-8102

| REVISIONS | | | | | |
|-----------|---------|-------------|-----|----------|----------|
| REV. | ECN NO. | DESCRIPTION | BY | DATE | APP'D BY |
| A | 15412 | RELEASED | JLL | 10/18/06 | DJ |
| | | | | | |
| | | | | | |
| | | | | | |



NOTE:
INSTALL THE UP/DOWN SWITCH WITH THE PURPLE WIRE IN THE UP POSITION AND THE BLUE WIRE IN THE DOWN POSITION

For Parts and Service
Call 1-888-404-1119
www.mikesreelrepair.com



TOLERANCES:
UNLESS OTHERWISE SPECIFIED
.000X ±.0010
.00X ±.005
.XX ±.010
X ±.015
FRACTIONAL ± 1/64
ANGULAR DIMENSIONS ± 0°30'

CONFIDENTIAL PROPERTY—
This document is the confidential property of Johnson Outdoors and is loaned subject to return upon demand; title to same is never sold/transferred for any reason. This document is to be used only pursuant to written instructions of Johnson Outdoors. All rights to designs and inventions are reserved by Johnson Outdoors. Possession of this document is accepted subject to the foregoing.

THIRD ANGLE PROJECTION

DRAWN BY: JLL
DATE: 10/18/06
APP'VD BY: DJ
DATE: 10/18/06
CHECKED BY: DJ
DATE:

| | | |
|----------------|--------------------------------------|----------|
| FINISH: NONE | PART NAME: MAG 10 & 5 WIRING DIAGRAM | A SIZE |
| MATERIAL: NONE | RELEASED ECN# 15412 | REV: A |
| | PART NO.: 339-8102 | |
| | SCALE: NONE | U/M: IN. |