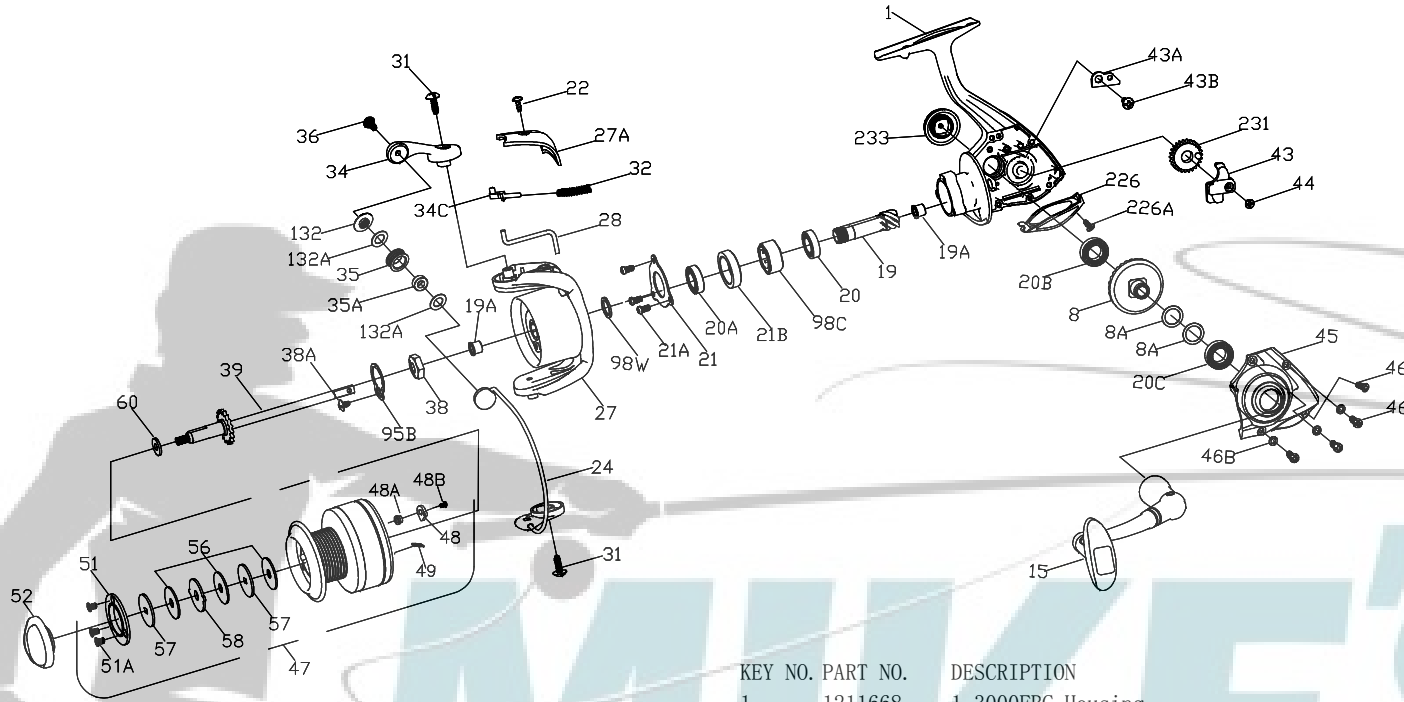




PARTS LIST FOR MODEL FIERCE 3000/4000
REEL PART NO.1206114/1206116



KEY NO.	PART NO.	DESCRIPTION
27A	1211512	27A-4000FRC Bail Pivot Cover
28	1203985	28-3000PUR Trip Lever
28	1203986	28-4000PUR Trip Lever
31	1203987	31-3000PUR Bail Arm Screw (2 req)
32	1203988	32-3000PUR Bail Spring
34	1211513	34-3000FRC Bail Arm
34C	1203990	34C-3000PUR Pivot Arm
35	1191674	35-3000SG Line Roller
35A	1203992	35A-3000PUR Line Roller Bushing
36	1203993	36-3000PUR Bail Stud Screw
38	1191728	38-3000SG Rotor Nut
38A	1203995	38A-3000PUR Rotor Locking Plate Screw
39	1211514	39-3000FRC Spool Shaft Assembly
39	1211515	39-4000FRC Spool Shaft Assembly
43	1191800	43-3000SG Crosswind Block
43	1200531	43-4000SG Crosswind Block
43A	1191818	43A-3000SG Crosswind Block Plate
43B	1191826	43B-3000SG Crosswind Block Plate Screw
44	1191843	44-3000SG Crosswind Block Screw
45	1211516	45-3000FRC Housing Cover
46	1191901	46-3000SG Housing Cover Screw (3 req)
46A	1191906	46A-3000SG Housing Cover Screw A
46B	1191907	46B-3000SG Housing Cover Washer (3 req)
47	1211517	47-3000FRC Spool Complete
47	1211518	47-4000FRC Spool Complete
48	1211604	48-3000SG Click Tongue
48A	1214226	48A-3000SG Click Tongue Washer
48B	1214189	48B-3000SG Spool Click Screw
49	1211605	49-3000SG Click Tongue Spring
51	1191976	51-3000SG Retaining Spacer
51A	1191986	51A-3000SG Retaining Screw (3 req)
52	1214190	52-3000FRC Drag Knob Assembly
56	1192035	56-3000SG Drag Washer (3 req)
57	1192043	57-3000SG Keyed Washer (2 req)
58	1192052	58-3000SG Eared Washer
60	1192060	60-3000SG Thrust Washer
95B	1192185	95B-3000SG Rotor Locking Plate
98C	1192212	98C-3000SG Clutch/Sleeve Assembly
98W	1192228	98W-2000SG Clutch Washer
132	1192298	132-7000SG Roller Washer
132A	1192302	132A-3000SG Line Roller Washer (2 req)
226	1214191	226-3000FRC Rear Cover
226A	1192473	226A-3000SG Rear Cover Screw
231	1192498	231-3000SG Crosswind Gear
231	1200522	231-4000SG Crosswind Gear
233	1211667	233-3000FRC Bearing Cover Assembly

KEY NO.	PART NO.	DESCRIPTION
1	1211668	1-3000FRC Housing
1	1211669	1-4000FRC Housing
8	1191017	8-3000SG Main Gear
8A	1191028	8A-3000SG Shim (2 req)
15	1211587	15-3000BTL Handle Assembly
19	1191231	19-3000SG Pinion
19A	1191252	19A-3000SG Pinion Bushing (2 req)
20	1192611	20-3000SG Lower Pinion Ball Bearing
20A	1203973	20A-3000PUR Upper Pinion Ball Bearing
20B	1203974	20B-3000PUR Housing Ball Bearing
20C	1203975	20C-3000PUR Housing Cover Ball Bearing
21	1192631	21-3000SG Bearing Retainer
21A	1192644	21A-3000SG Bearing Retainer Screw (3 req)
21B	1192648	21B-3000SG Collar
22	1203978	22-3000PUR Bail Pivot Cover Screw
24	1211671	24-3000FRC Bail Wire Assembly
24	1211672	24-4000FRC Bail Wire Assembly
27	1211673	27-3000FRC Rotor (w/weight & screw)
27	1211510	27-4000FRC Rotor (w/weight & screw)
27A	1211511	27A-3000FRC Bail Pivot Cover