

MotorGuide® REPAIR PARTS

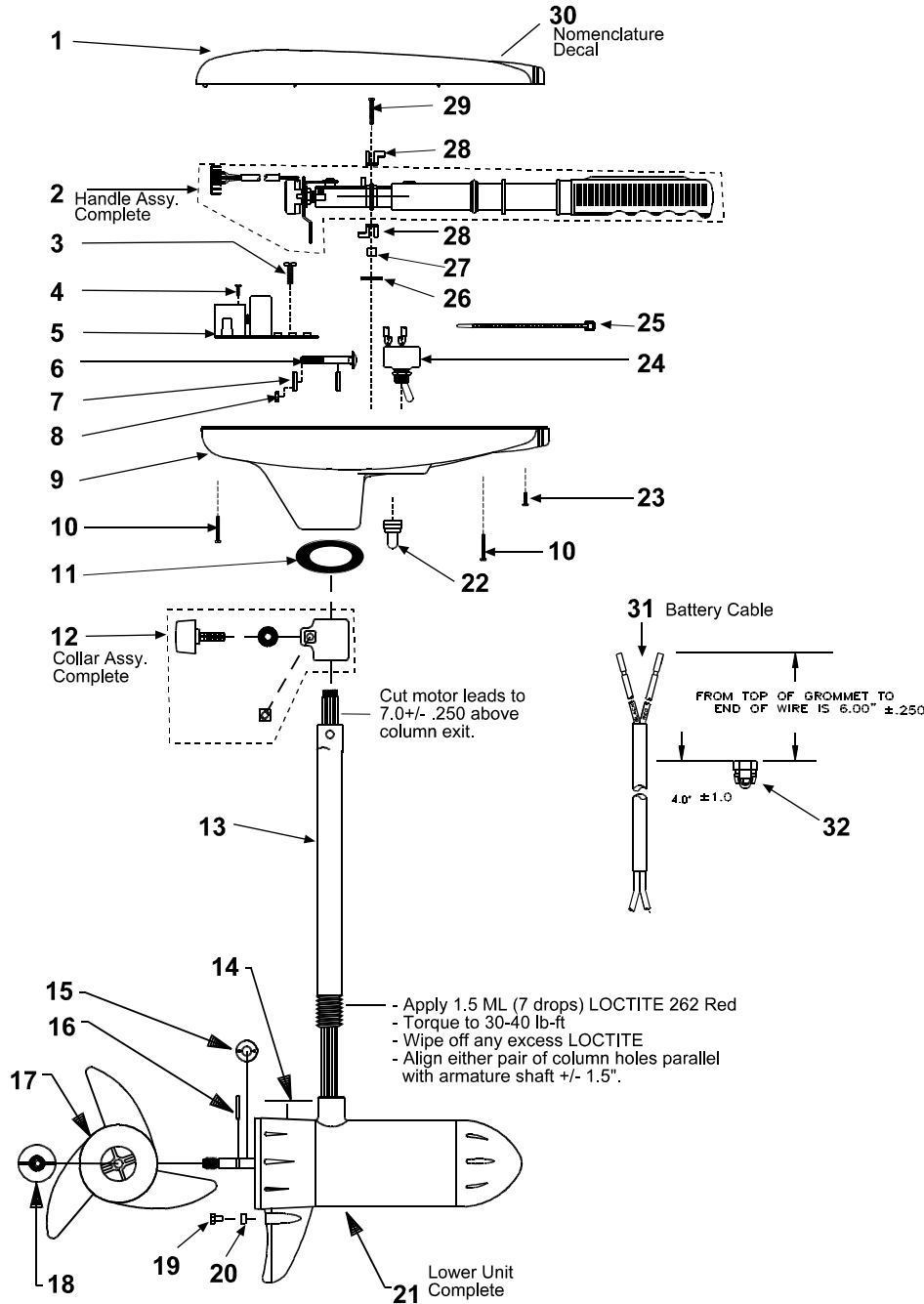
Models:
GWB80V
GWT80V

SPECIFICATIONS:

Year of Intro 2000
 Thrust 80 LBS
 Volts 24VDC
 Amp Draw 0 to 33amps
 Mount 20 Bow
 Speeds Variable

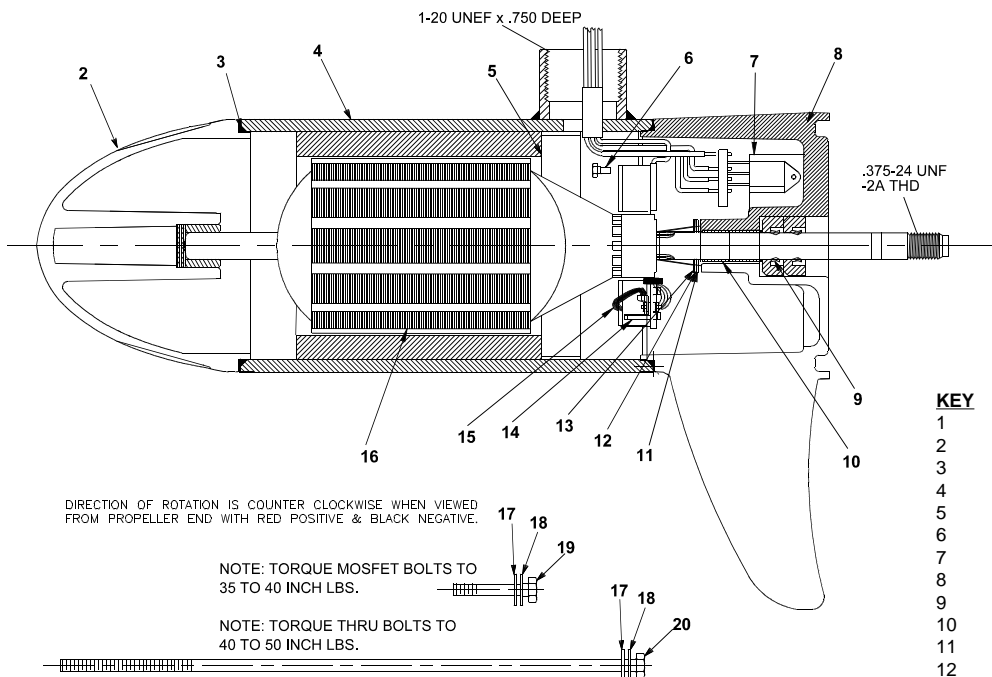
PARTS ORDERING & TECH ASSISTANCE

MotorGuide Consumer Relations
 Phone 918-831-6989
 Fax 800-982-8093



KEY	DESCRIPTION	PART #	KEY	DESCRIPTION	PART #
1	TOP HOUSING COVER	XT053-35	19	ANODE BOLT	DK133-01
2	HANDLE ASY	AT372-05	20	ANODE	AR002-03
3	#10 X 1/2" SCREW	RT133-03	21	MOTOR	TF397-03
4	#4 SELF TAPPING SCREW	AF141-01	22	SWITCH BOOT	FP177-01
5	CIRCUIT BOARD FOR/REV	AT157-02	23	SCREW #8X1/2"	FR135-01
6	BOLT	TT134-02	24	TOGGLE SWITCH	FP153-07
7	CURVED WASHER	TT171-08	25	CABLE TIE	AF030-01
8	NYLON LOCK NUT	XT098-02	26	BATTERY CABLE CLAMP	AT036-01
9	T/H BASE	XT005-05	27	HANDLE BOSS BUSHING	AT022-01
10	SCREW #8 X 1"	LF141-04	28	RETAINER CLAMP	AR036-02
11	COLUMN SEAL	AT079-01	29	8 X 1-3/8 SCREW	AR133-01
12	DEPTH ADJUSTMENT COLLAR	AR158-01	30	NOMENCLATURE (GWT80V)	XT056-39
13	COLUMN 36"	FR049-11		GWB80V	XT056-38
	COLUMN 42"	FR049-12	31	BATTERY CABLE	XT328-06
	COLUMN 50"	FR049-13	32	GROMMET	GR019-01
14	LOWER UNIT DECAL	XF060-03			
15	MONOFILAMENT WASHER	AR175-01			
16	PROP DRIVE PIN	BR102-02			
17	PROP/3 BLADE	AF124-11			
	PROP/2 BLADE	AF124-07			
18	PROP NUT	AR099-01			

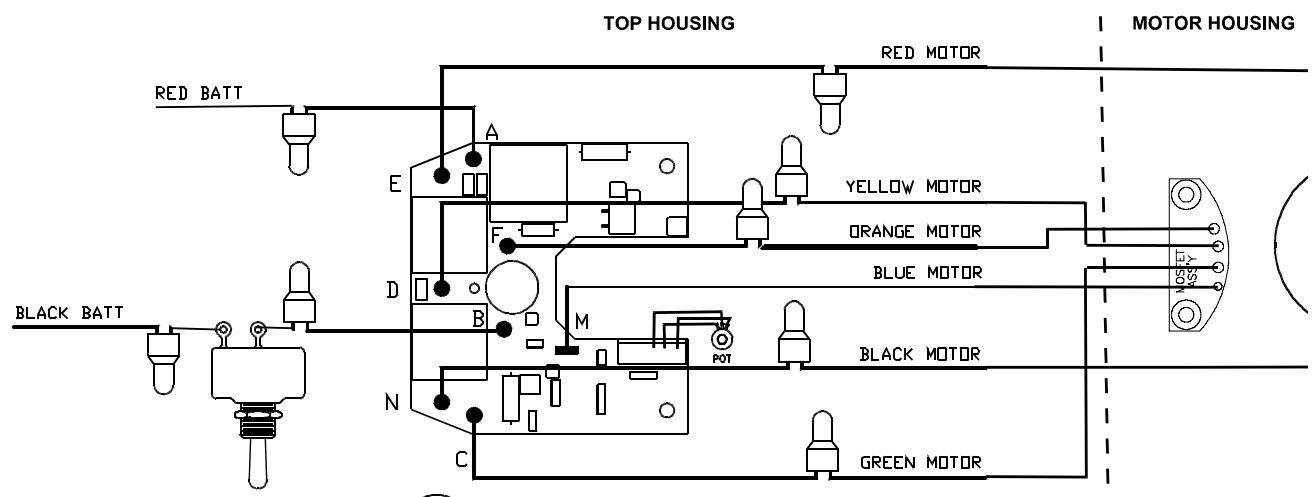
LOWER UNIT BREAKDOWN



Models:
GWB80V
GWT80V

KEY	QTY	DESCRIPTION	PART NO.
1	X	MOTOR	TF397-03
2	1	NOSE CAP	XF3212-02
3	2	O RING SEAL	MR217-01
4	1	HOUSING ASY	AF3210-07
5	1	RETAINER	JF233-01
6	2	BRUSH CARD SCREW	MR228-01
7	1	DURA AMP MODULE	JF096-09
8	1	COMM CAP	XF3205-01
9	2	SHAFT SEAL	MR223-01
10	1	BEARING	MR206-01
11	1	NYLATRON WASHER	MR226-01
12	1	WASHER	MR227-01
13	1	E RING	MR219-02
14	2	BRUSH SPRINGS	XF214-01
15	1	BRUSH ASY LESS SPRING	XF3201-01
16	1	ARMATURE	TF3207-01
17	4	STATIC SEAL	MR222-01
18	4	THRU BOLT WASHER	MR216-02
19	2	DURA AMP SCREW	MR229-04
20	2	THRU BOLT	MR218-13

WIRING



SUBJECT TO DAMAGE BY STATIC ELECTRICITY
ASSEMBLE AT STATIC FREE WORK STATION!