

MotorGuide REPAIR PARTS

Model:
ZX60V

SPECIFICATIONS:

Year of Intro 1998
 Thrust 62LBS
 Volts 24VDC
 Amp Draw 0 to 33 amps
 Mount 20 Bow
 Speeds Variable

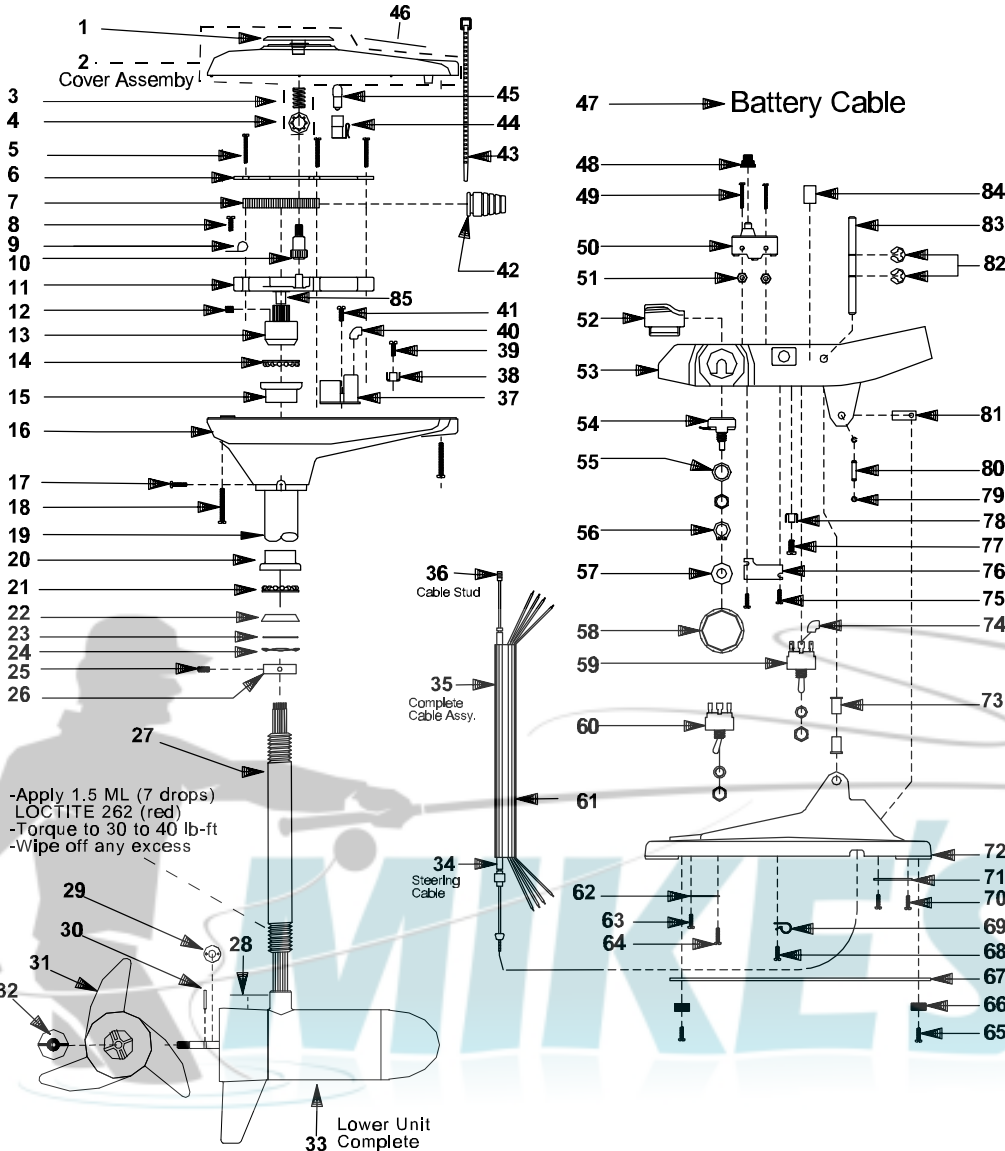
QUICK REFERENCE PARTS GUIDE:

Momentary switch AP151-01
 Toggle Switch FP153-03
 DA Board JF157-02
 MOSFET JF096-08
 Motor Seal Kit 6220

PARTS ORDERING & TECH ASSISTANCE

MotorGuide Consumer Relations
 Phone 918-831-6989
 Fax 800-982-8093

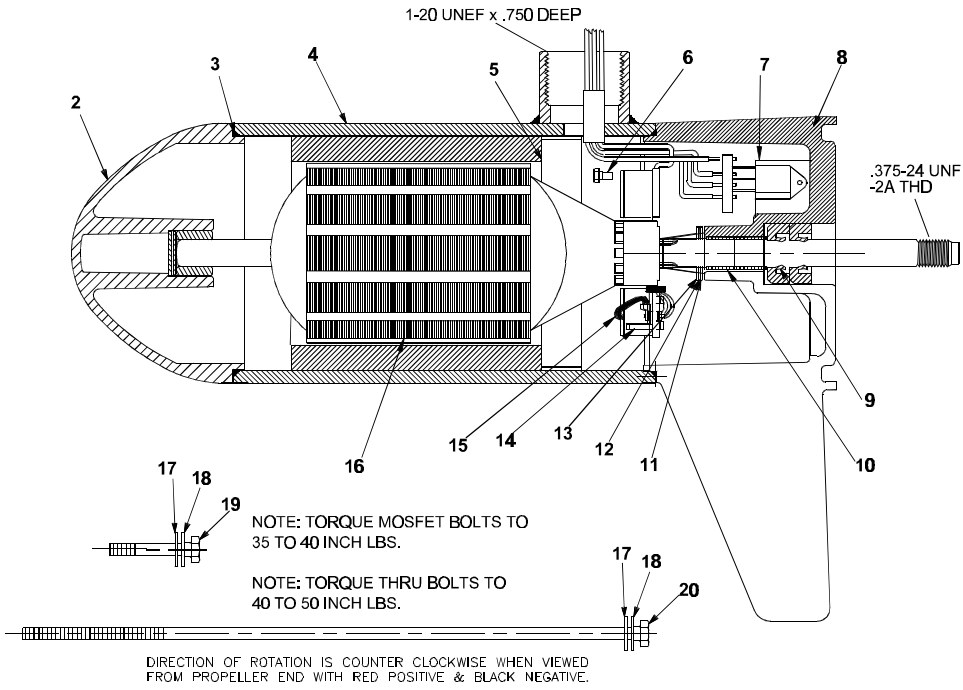
Returned Goods must be accompanied with a Returned Goods Authorization. Contact MotorGuide Consumer Relations to obtain RGA.



KEY	DESCRIPTION	PART#	KEY	DESCRIPTION	PART#	KEY	DESCRIPTION	PART#
1	RED INDICATOR	AF078-08	31	PROP/ 3 BLADE	AF124-10	59	TOGGLE SWITCH 3 POSITIONS	FP153-03
2	TOP HOUSING COVER BLACK	JF053-21	32	PROP NUT	AR099-01	60		
3	COMPRESSION SPRING	AF014-01	33	24V F/O MOTOR WR	UF397-02	61	69" ELECTRIC CABLE JACKET	MM9006-03
4	TINNERMAN CLIP	AF046-01	34	63" CONTROL CABLE STUD ASY	9377		63" ELECTRIC CABLE JACKET	MM9006-02
5	#6 RACK GUIDE SCREW	AF133-01	35	69" CONTROL CABLE STUD ASY	9767	62	CABLE PLATE	KP123-01
6	RACK GUIDE COVER	AF127-01		63" CONTROL CABLE ASY	AP327-16	63	#6 SELF TAP SCREW	EK135-01
7	RACK	AP125-01		69" CONTROL CABLE ASY	AP327-18	64	6 X 1/2 SCREW	AF135-01
8	#10 x 1/2" SCREW	GR133-01	36	CONTROL CABLE STUD	AP141-01	65	6 X 1/2 SCREW	AF135-01
9	CABLE CLAMP	AP036-01	37	24 VOLT DURA AMP BOARD	JF157-02	66	FOOT PEDAL PAD	KP023-01
10	INDICATOR GEAR	AF069-01	38	TERMINAL (4 PRONG)	FT160-03	67	WEIGHT PLATE ASY	LP3123-01
11	RACK GUIDE	AF126-01	39	#10 x 1/2" SCREW	GR133-01	68	6 X 1/2 SCREW	AF135-01
12	1/4 NUT SET SCREW	AF142-01	40	INSULATING SLEEVE	AT080-01	69	CABLE CLAMP	KP036-01
13	PM PINION NUT	AF398-02	41	SELF TAPPING SCREW	AF141-01	70	SCREW	IR133-01
14	BEARING	FM005-01	42	GROMMET	AP071-01	71	BATTERY CLAMP	KP036-02
15	BEARING CUP	AF007-01	43	CABLE TIE	AF030-01	72	FOOT PEDAL BASE	LP003-01
16	T/H BASE BLACK	AF004-07	44	LAMP HOLDER	AF394-01	73	SHAFT BUSHING	KP021-01
17	#6 SELF TAP SCREW	EK135-01	45	LAMP	AF093-02	74	INSULATING SLEEVE	AT080-01
18	SCREW #8 X 3/4	LF141-03	46	NOMENCLATURE	JF056-14	75	6 X 1/2 SCREW	AF135-01
19	42/50" OUTER TUBE	AF165-06	47	BATTERY CABLE ASY W PLUG	LP328-05	76	RETAINER PLATE	LP123-03
20	BEARING CUP	FM007-01	48	MICRO SWITCH BOOT	KP157-01	77	#10X1/2 SCREW	GR133-01
21	BEARING	FM005-01	49	#6 32 X 1 1/2 SCREW	LP135-01	78	TERMINAL 4 PRONG	FT160-03
22	BEARING RACE	AF006-03	50	MICRO SWITCH	AP151-01	79	E RING	FP046-01
23	O RING	AF063-01	51	6 - 32 NUT S.S	SP098-02	80	CABLE PIVOT PIN	AP105-01
24	WAVE SPRING WASHER	AF171-01	52	MICRO BUTTON	LP026-01	81	CABLE PIVOT	LP091-01
25	CONE SET SCREW	AF143-01	53	FOOT PEDAL	LP101-03	82	.312 E RING	BK046-02
26	BEARING COLLAR	XF006-01	54	POTENTIOMETER	AP168-02	83	FOOT PEDAL ROCKER PIN	LP102-01
27	42" .105 SS F/O COLUMN	AF049-09	55	LOCK WASHER 3/8	KP171-01	84	HI BYPASS DECAL	LP057-03
28	LOWER UNIT DECAL	ET060-04	56	GRIP RING	LP046-01	85	PINION NUT BUSHING	AF021-01
29	MONOFILAMENT WASHER	AR175-01	57	NYLON WASHER	AK171-02			
30	PROP DRIVE PIN	BR102-01	58	VARIABLE SPEED KNOB	LP082-06			

LOWER UNIT BREAKDOWN

Model:
ZX60V



WIRING

⚡ SUBJECT TO DAMAGE BY STATIC ELECTRICITY ASSEMBLE AT STATIC FREE WORK STATION!

FOOT PEDAL

MOTOR TOP HOUSING

