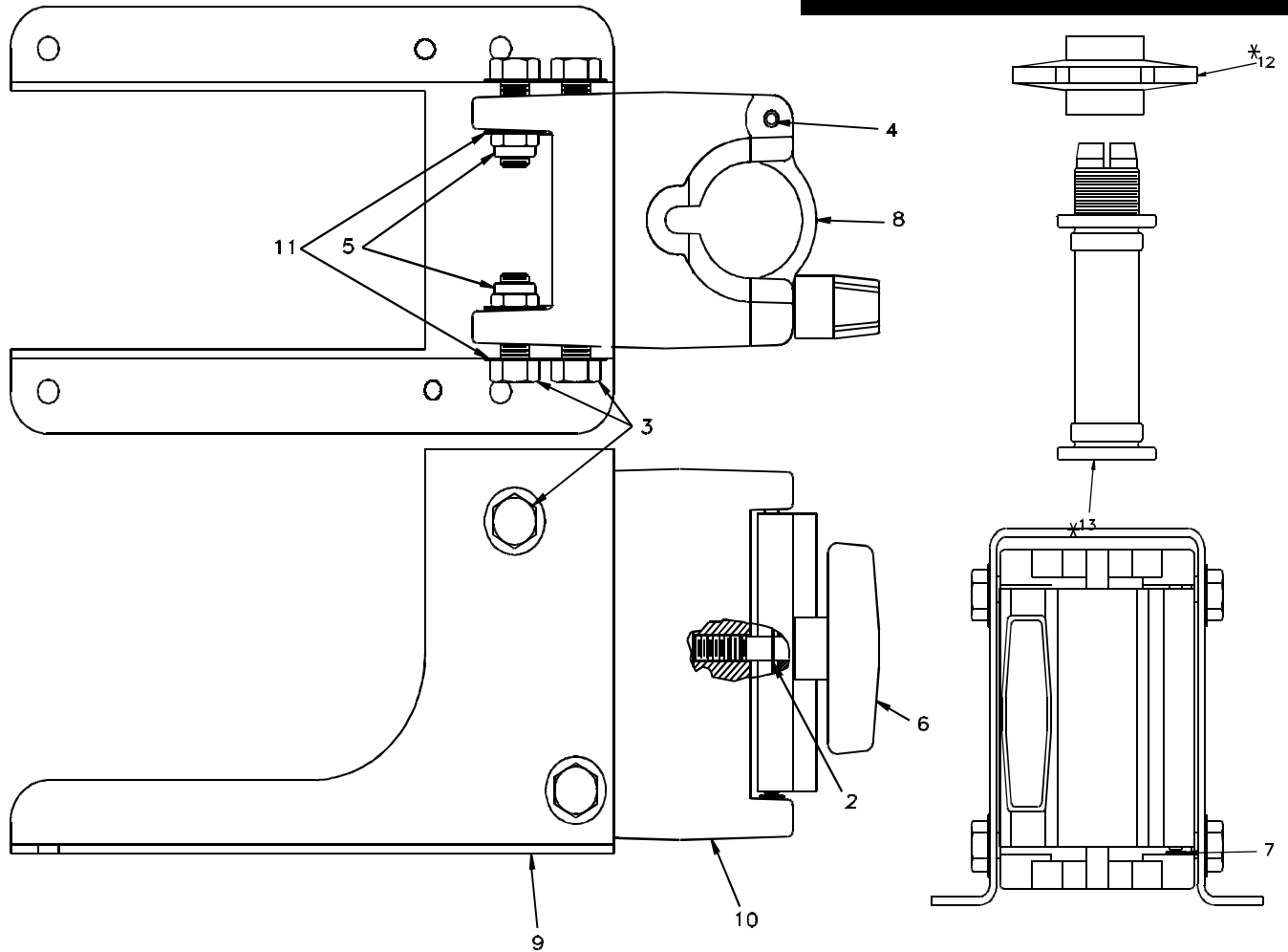


PONTOON MOUNT

COMPLETE ASSY: BK300-05



* FOR HAND OP ONLY

FEATURES

- Only pontoon specific mount available
- Hinged door for easy removal
- Adjustable height
- Small footprint won't interfere with railing

STANDARD ON

- All pontoon motors

BASE DIMENSIONS

Length - 8"

Width - 5"

Height - 4 7/8"

Mounting hole diameter - 1 1/4"

1	EA.		KIT-PONTOON	ST174-03
1	EA.	13	FRICION-TUBE	RK021-02
1	EA.	12	NUT	KM082-05
8	EA.	11	WASHER-3/8 SS	XT011-01
1	EA.	10	BRACKET	AK011-02
1	EA.	9	BRACKET-PONTOON	AK011-04
1	EA.	8	BRACKET-DOOR	AK012-02
1	EA.	7	E RING	AK046-01
1	EA.	6	KNOB-BAR	AK082-02
4	EA.	5	NUT-LOCK 3/8-24 SS	KM098-02
1	EA.	4	PIN-DOOR	RK104-01
4	EA.	3	BOLTS-3/8-24X 3/4	BK134-01
1	EA.	2	WASHER-NYLON	WF171-01
	EA.	1	SCHEMATIC-PONTOON M	BK192-01A
			PART	PART NO.
MATERIAL:				STANDARD TOLERANCES UNLESS SPECIFIED
SEE ABOVE				DECIMAL .XX +/- .010
FINISH:				DIGITAL .XXX +/- .005
				ANGULAR +/- 1°
PART NAME				DATE
SCHEMATIC-PONTOON MOUNT				RF 10/5/94
				PROJ EDG: 10/6/94
				APP BY: PM 10/5/94
				SCALE: NONE
ZEBCO/MOTORGUIDE				DWG. NO.
P.O. BOX 4345				BK192-01
STARKVILLE, MISSISSIPPI 39759				
ZEBCO CORPORATION, A BRUNSWICK CO.				