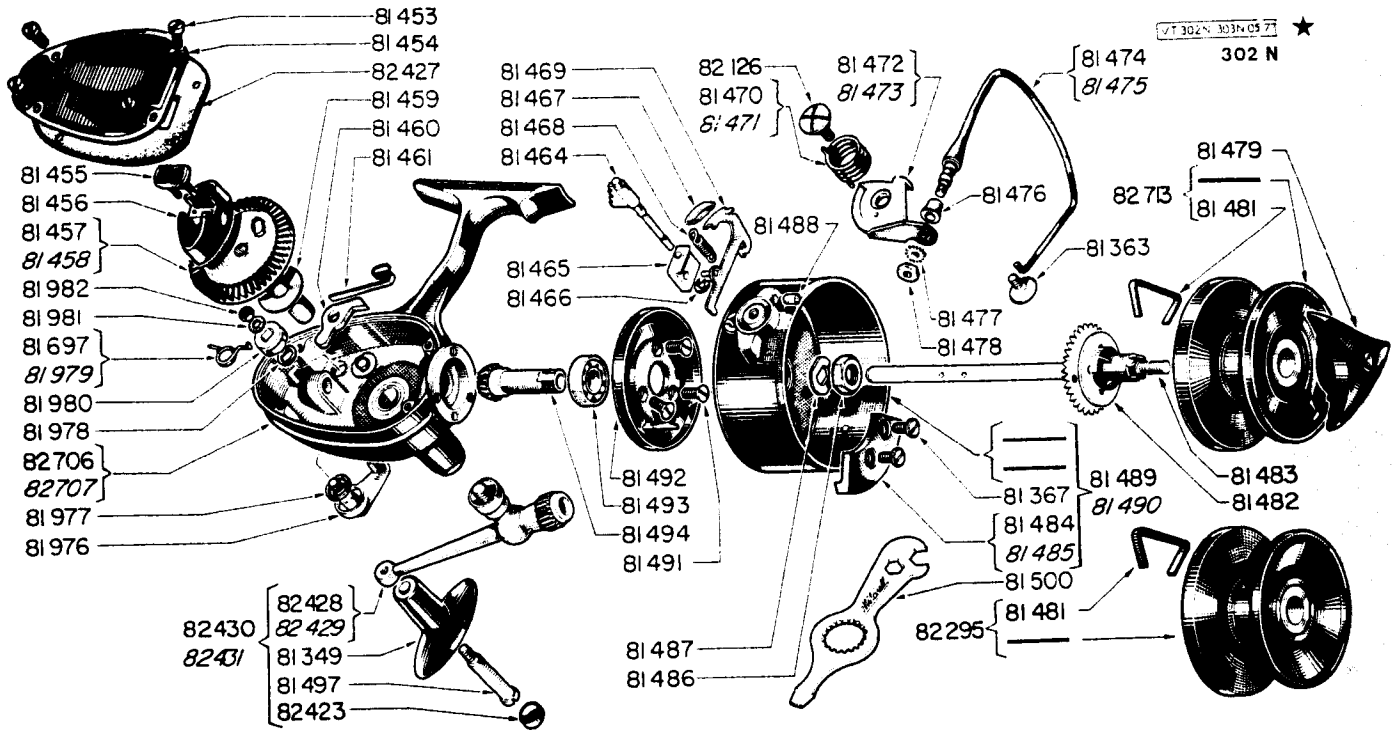


302 N



CODE NO.	DESCRIPTION	SUGGESTED RETAIL	CODE NO.	DESCRIPTION	SUGGESTED RETAIL
81349	Handle Knob	1.75	81488	Bail Bumper	.40
81363	Bail Screw N 2	.60	81489	Rotating Head	13.10
81367	Counterweight Screw	.40	81490	Rotating Head	13.10
81453	Side Plate Screw	.25	81491	Brake Drum Screw	.40
81454	Side Plate	1.70	81492	Brake Drug	.85
81455	Oscillation Slide Lock	.85	81493	Ball Bearing Stainless Steel	12.40
81456	Oscillation Slide	.85	81494	Pinion Gear	4.10
81457	Drive Gear	13.65	81497	Handle Knob Screw	1.70
81458	Drive Gear	13.65	81500	Utility Tool	.85
81459	Thrust Washer	.40	81697	Clutch Cam Spring	.60
81460	Anti Reverse Dog	.85	81976	Anti Reverse Lever	2.65
81461	Anti Reverse Dog Spring	.25	81977	"O" Ring Seal	.25
81464	Bail Trip Shaft	.90	81978	Anti Reverse Washer	.25
81465	Bail Trip Cam	.40	81979	Anti Reverse Spring	.60
81466	Cam "C" Lock	.25	81980	Anti Reverse Cam	.25
81467	Anti Inertia Brake	.25	81981	Anti Reverse Lock Washer	.25
81468	Trip Lever Spring	.40	81982	Anti Reverse Lock Nut	.25
81469	Trip Lever	1.45	82126	Bail Screw N 1	.85
81470	Bail Spring	.60	82295	Conical Spool	8.45
81471	Bail Spring	.60	82423	Handle Knob Lube Port	.85
81472	Bail Wire Mount	4.10	82427	Cover Plate Seal	.80
81473	Bail Wire Mount	4.10	*82428	Handle Shank	8.40
81474	Bail Wire	8.25	*82429	Handle Shank	8.40
81475	Bail Wire	8.25	82430	Handle Complete	13.10
81476	Roller Line Guide	1.10	82431	Handle Complete	13.10
81477	Bail Wire Lock Washer	.25	*82706	Housing	18.45
81478	Bail Wire Lock Nut	.45	*82707	Housing	18.45
*81479	Drag Adjusting Knob	6.50	82713	Spool Standard	7.10
81481	Click Spring	.40			
81482	Ferodo Drag Plate	1.10			
81483	Axle With Ratchet	7.10			
81484	Counterweight	1.70			
81485	Counterweight	1.70			
81486	Hex Nut	.65			
81487	Keyed Washer	.45			

*When present inventory is depleted, this part will be replaced by another number. Please refer to chart in back of book.