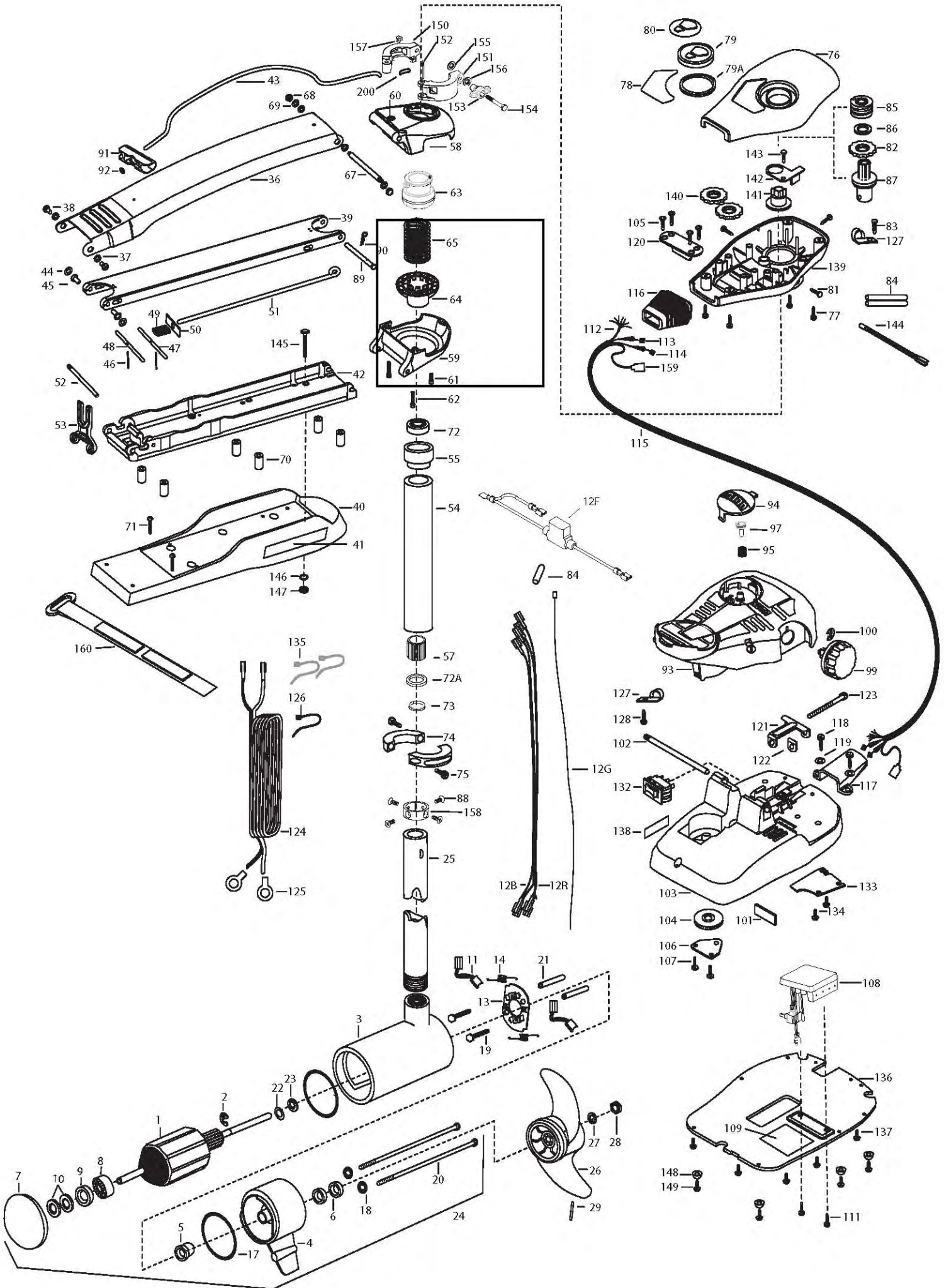


MAXXUM 80
80 lbs Thrust
24 VOLT 56 AMPS
72" SHAFT

for use with "AI" serial numbers
3-year warranty from the date of purchase

For Parts and Service
Call 1-888-404-1119
www.mikesreelrepair.com



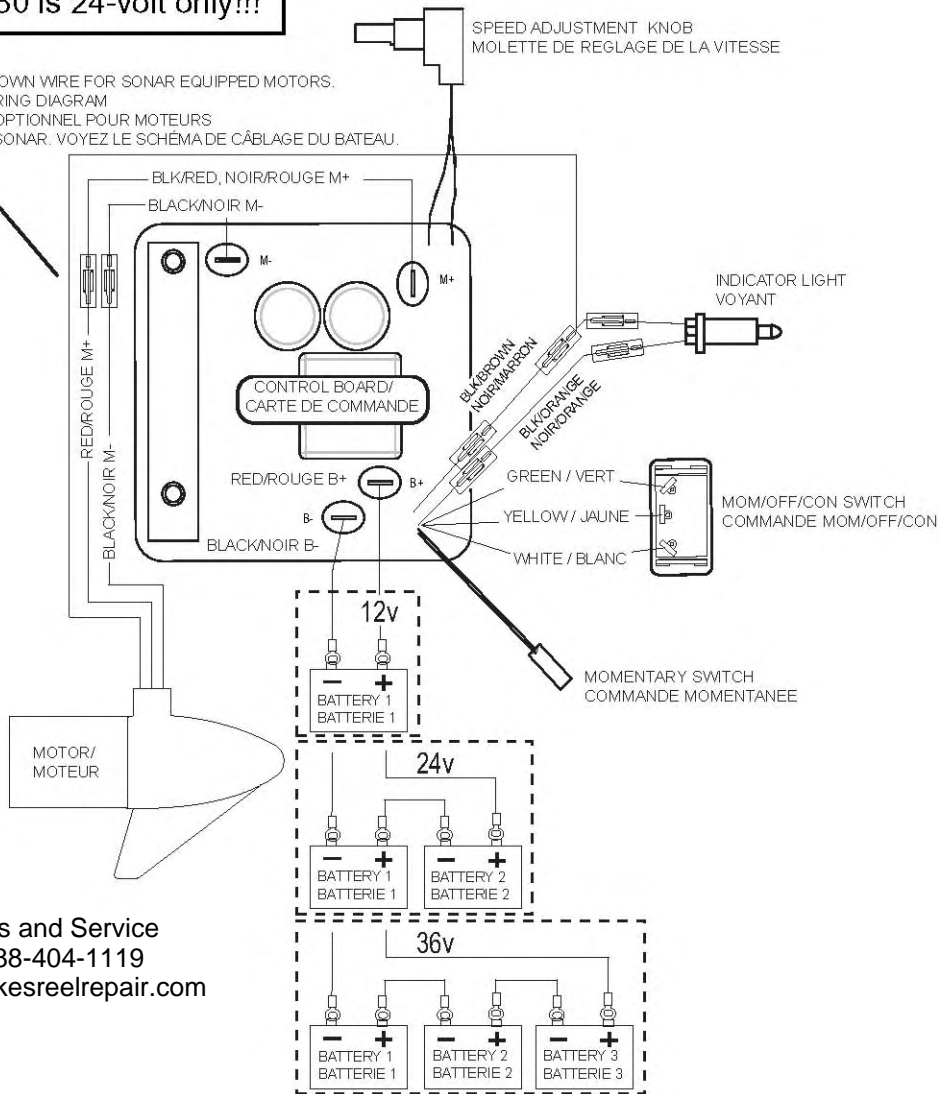
1	2-100-214	ARMATURE ASSEMBLY 24V 4"	62	2263425	SCREW 5/16-18 X 2-1/2 SHCS [2.EA]	122	2263104	NYLOCK KEEPER
2	788-040	RETAINING RING	63	2071541	SPRING-SLEEVE UPPER	123	2263466	SCREW-1/4-20 X 2 STL PPH
3	431-160	CENTER HOUSING ASSEMBLY 4.0 TXT	64	2071535	SPRING SLEEVE, LOWER	124	2261233	LEADWIRE VARIABLE
4	2-300-160	BRUSH END HOUSING ASSEMBLY	65	2262711	SPRING, BOWGUARD, FC PAINTED	125	2020700	TERMINAL RING, 3/8 [2.EA]
5	144-017	BEARING- FLANGE (SERVICE ONLY)	67	2262605	PIN- THREADED	126	2256300	TIE WRAP-5.5 BLACK
6	880-025	SEAL [2.EA]	68	2223100	NUT - NYLOC SS [2.EA]	127	2263201	CLAMP WIRE HARNESS MICRO [2.EA]
7	421-276	PLAIN END HOUSING ASSEMBLY	69	2261722	WASHER [2.EA]	128	2332103	SCREW-6-20 X 3/8 THD SS
8	140-010	BALL BEARING	■	2994832	BAG ASSEMBLY	132	2254031	SWITCH-MOM/OFF/CON
9	990-045	THRUST SPACER	*70	2261505	SPACER, MOTOR REST [6.EA]	133	2266412	SWITCH PLATE, PT PEDAL
10	992-010	SPRING WASHER [2.EA]	*71	2263434	SCREW, 8-18 X 1 PPH SS [2.EA]	134	2332103	SCREW-6-20 X 3/8 THD SS [2.EA]
11	186-094	BRUSH [2.EA]	72	2266000	BEARING, BALL-STEEL	135	2256301	TIE WRAP-5.5 WHITE [2.EA]
12B	640-024	LEADWIRE-BLACK 10 AWG 79"	72A	2266116	BEARING, CARTRIDGE	136	2264511	BOTTOM PLATE, MAXXUM PT
12R	640-131	LEADWIRE-RED 10 AWG 80 1/2"	73	2266001	BEARING, SPLIT RING	137	2372100	SCREW-8 X 1/2 SS [5.EA]
12G	640-117	BROWN GROUND WIRE (US MOTORS ONLY)	74	2261622	COLLAR HALF-PAINTED-2 PER- KIT	138	2266610	DECAL-ON/OFF SWITCH
12F	2218200	FUSE HOLDER (US MOTORS ONLY)	75	2263453	SCREW-1/4-20 X 3/4 SHCS SS [2.EA]	139	2262535	CONTROL BOX-PLASTIC
13	738-040	BRUSH PLATE 4"	76	2260283	CONTROL BOX COVER-MAXXUM	140	2267800	GEAR-INDICATOR [2.EA]
14	975-041	SPRING- TORSION [2.EA]	77	2372100	SCREW-8-18 X 5/8 THD [4.EA]	141	2262220	INDICATOR-DRIVE
17	701-009	O-RING —THRU BOLT [2.EA]	78	2265644	DECAL COVER, MAXXUM 80	142	2261905	BRACKET/INDICATOR
18	701-043	O-RING [2.EA]	79	2260150	POINTER DISC TRNSLCNT RED	143	2301310	SCREW-8-18 X 1/2 SS
19	830-027	SCREW -SELF THREAD 10-32X2 [2.EA]	79A	2261733	WASHER-FOAM, INDICATOR	144	2264015	LIGHT/INDICATOR
20	830-094	THRU BOLT 12-24X10.31 [2.EA]	80	2265800	DECAL-INDICATOR	■	2994830	BAG ASSEMBLY-MAXXUM
21	973-025	SPACER- BRUSH PLATE [2.EA]	81	2053414	SCREW-#8-32 X 1/2 TRI-LOBE [3.EA]	*145	2263431	SCREW 1/4-20 X 3.5 PPH [6.EA]
22	990-051	WASHER- STEEL	82	2267800	GEAR-INDICATOR	*146	2261713	WASHER-1/4 FLAT S/S [6.EA]
23	990-052	WASHER- NYLATRON	83	2372100	SCREW-8-18 X 5/8 SS	*147	2263103	NUT-1/4-20 NYLOCK-JAM [6.EA]
24	2316229	MOTOR ASSEMBLY 24V 4" VARS TXT 62"	84	2355410	SHRINK TUBE-3/8 OD X 2- [2.EA]	148	2265126	BUMPER [4.EA]
25	2032008	TUBE COMP W/4 HOLE 72"	85	2232360	PULLEY-CABLE DRUM	149	2263455	SCREW #12 [4.EA]
■	1378132	PROPELLER KIT	86	2261730	WASHER-NYLON	■	2991556	CLAMP COLLAR ASSEMBLY
26	2331160	PROPELLER W.WEDGE 2	87	2996247	PINION/RACE ASSEMBLY	150	2071550	CLAMP COLLAR "A"
27	2091701	WASHER-PROP LARGE	88	2223468	SCREW-8-32 X 7/16 ZN PL [4.EA]	151	2071555	CLAMP COLLAR "B"
28	2093101	NUT-PROP NYLOCK SS	89	2262607	PIN- CLEVIS ZN	152	2072621	PIN-KNURLED
29	2262658	PIN-DRIVE SS	90	2260805	SPRING CLIP ZN	153	2281505	KNOB-CLAMP COLLAR
■	2991842	MOUNT,BOW ASSEMBLY, FW W/O BG	91	2150400	PULL-GRIP	155	2071718	WASHER #10 NYLON RETAINING
36	2264246	ARM UPPER-FW LONG	92	2151700	WASHER-EYE SHAFT .562 OD	157	2073102	NUT - HEX 1/4 - 28 SS
37	2293501	BUSHING, STAINLESS STEEL [4.EA]	93	2994496	FOOT PEDAL/PLUG ASSEMBLY	158	2071560	SPLIT COLLAR
38	2263500	BOLT, SHOULDER MAXXUM [2.EA]	94	2993705	PUSH BUTTON / MAGNET ASSEMBLY	160	2263804	STRAP - VELCRO 30.5"
39	2774317	ARM-LOWER ASSEMBLY,LG,FW,EXT	95	2302732	SPRING-LOWER PEDAL SS	200	2075120	URETHANE PAD
40	2263913	MOTOR REST LONG MAXXUM	97	2260810	CLIP, REED SWITCH			
41	2265514	DECAL-MAXXUM,MOTOR REST [2.EA]	99	2280115	KNOB-SPEED CONTROL VAR			
42	2773986	BOWPLATE- FW LG MACH/INSERT	100	2263000	E-RING TRU-ARC#5133-43			
43	2251601	ROPE 40" MAXXUM MOUNT	101	2266413	PLATE -TENSION SCREW FTPED.			
44	2261708	WASHER-3/8X1/2X.010 SS [2.EA]	102	2260511	PIN-PIVOT A/T PT PDL			
45	2267318	BEARING NYLINER- [2.EA]	103	2774550	FT PEDAL BASE/PIN ASSEMBLY			
46	2152610	SPRING-PIN LOCKBAR [2.EA]	104	2262301	PULLEY- FOOT PEDAL			
47	2233600	LOCK BAR- BOW MOUNT	105	2223430	SCREW #8X3/4 PPH TYPE 25 SS [4.EA]			
48	2233602	LOCK BAR- REAR ZINC	106	2266400	COVER-PULLEY STAMPING			
49	2152700	SPRING-LOCKBAR CAD.PLT	107	2301310	SCREW-8-18 X 1/2 SS [2.EA]			
50	2262703	SPRING STOP	108	2264054	CONTROL BOARD ASSEMBLY 24-36V MAX			
51	2153604	EYE SHAFT-2LOCKBAR LG-PLTD	109	2365107	INSULATING PAD 2.3 X 3.2			
52	2260506	HINGE-PIN HEADLESS ZINC	111	2223455	SCREW, 10-32 X 1/2 [2.EA]			
53	2293811	YOKE,MAX MNT-POLYPROPYLENE	112	2261221	WIRE HARNESS AT & MAX 82.5			
■	2772087	TUBE W/ 4 HOLES 34"	113	2267506	CABLE ASSEMBLY-RIGHT 8'			
54	2272087	TUBE OUTER 34"	114	2267516	CABLE ASSEMBLY-LEFT 8'			
55	2266260	BEARING RACE-(565T)	115	2265432	CABLE JACKET 8'			
57	2267307	BUSHING, OUTER TUBE	116	2265110	BOOT-CONTROL BOX			
■	2991759	BOWGUARD ASSEMBLY-FT CTRL,MAX 72	117	2265115	BOOT-FOOT PEDAL BASE			
58	2772319	BRACKET BASE TOP/EYELET ASSEMBLY	118	2372100	SCREW-8-18 X 5/8 THD SS [2.EA]			
59	2991770	BRKT BOTTOM/BEARING FW ASSEMBLY	119	2261714	WASHER-MAXXUM PT PDL [2.EA]			
60	2772352	EYELET KIT -ROPE	120	2261901	BRACKET-CONDUIT AT/MAX			
61	2263423	SCREW 5/16-18 X 1" SHCS	121	2263210	BRACKET-CONDUIT ADJUSTMENT			

For Parts and Service
Call 1-888-404-1119
www.mikesreelrepair.com

2889460 seal & oring kit

Max 80 is 24-volt only!!!

OPTIONAL BROWN WIRE FOR SONAR EQUIPPED MOTORS.
SEE BOAT WIRING DIAGRAM
FIL MARRON OPTIONNEL POUR MOTEURS
ÉQUIPÉS DE SONAR. VOYEZ LE SCHEMA DE CÂBLAGE DU BATEAU.



For Parts and Service
Call 1-888-404-1119
www.mikesreelrepair.com