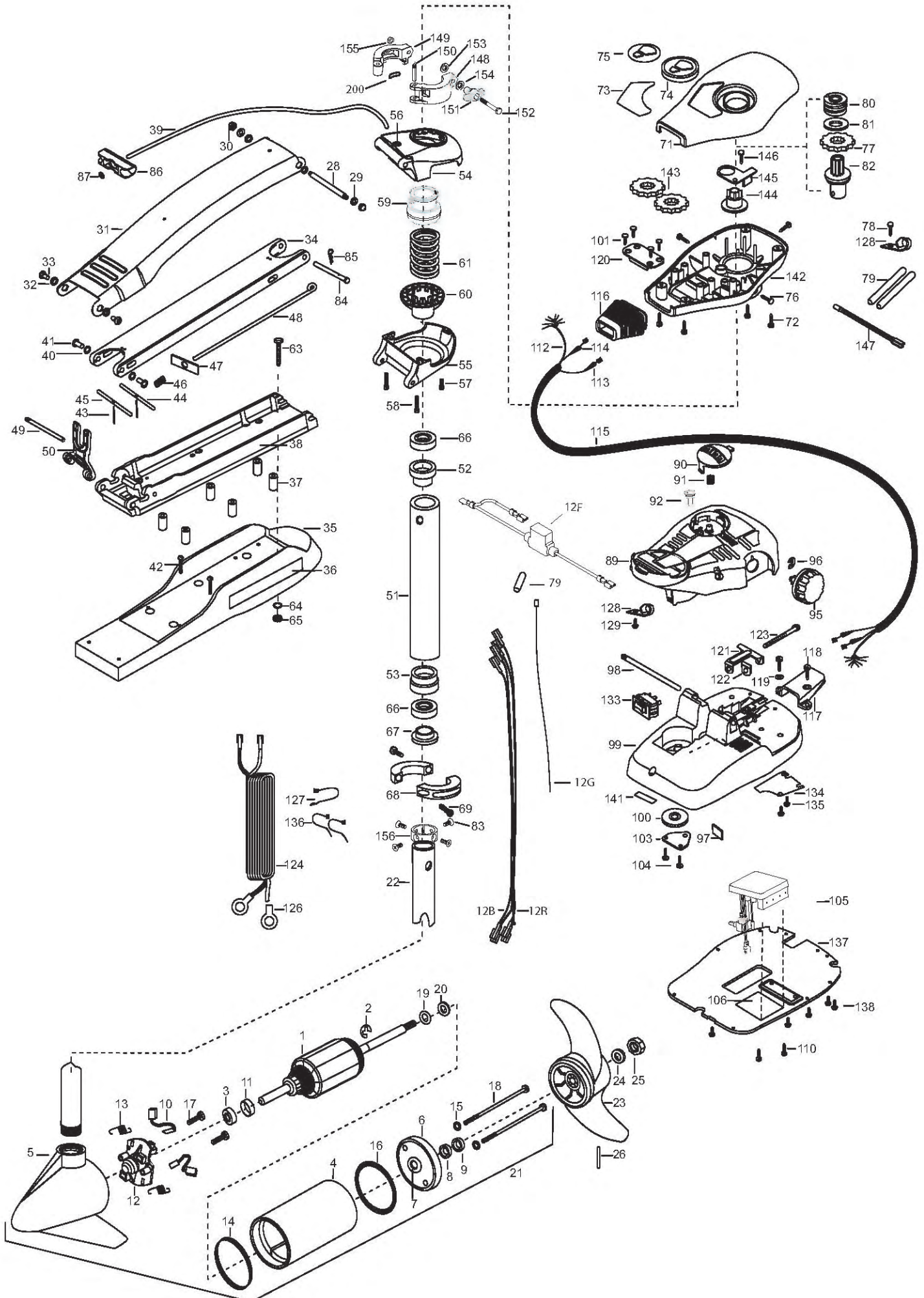


**MAXXUM 55**  
**55 lbs Thrust**  
**12 Volt 50 Amp**  
**42" SHAFT**

for use with "AI" serial numbers  
3-year warranty from the date of purchase

For Parts and Service  
Call 1-888-404-1119  
[www.mikesreelrepair.com](http://www.mikesreelrepair.com)

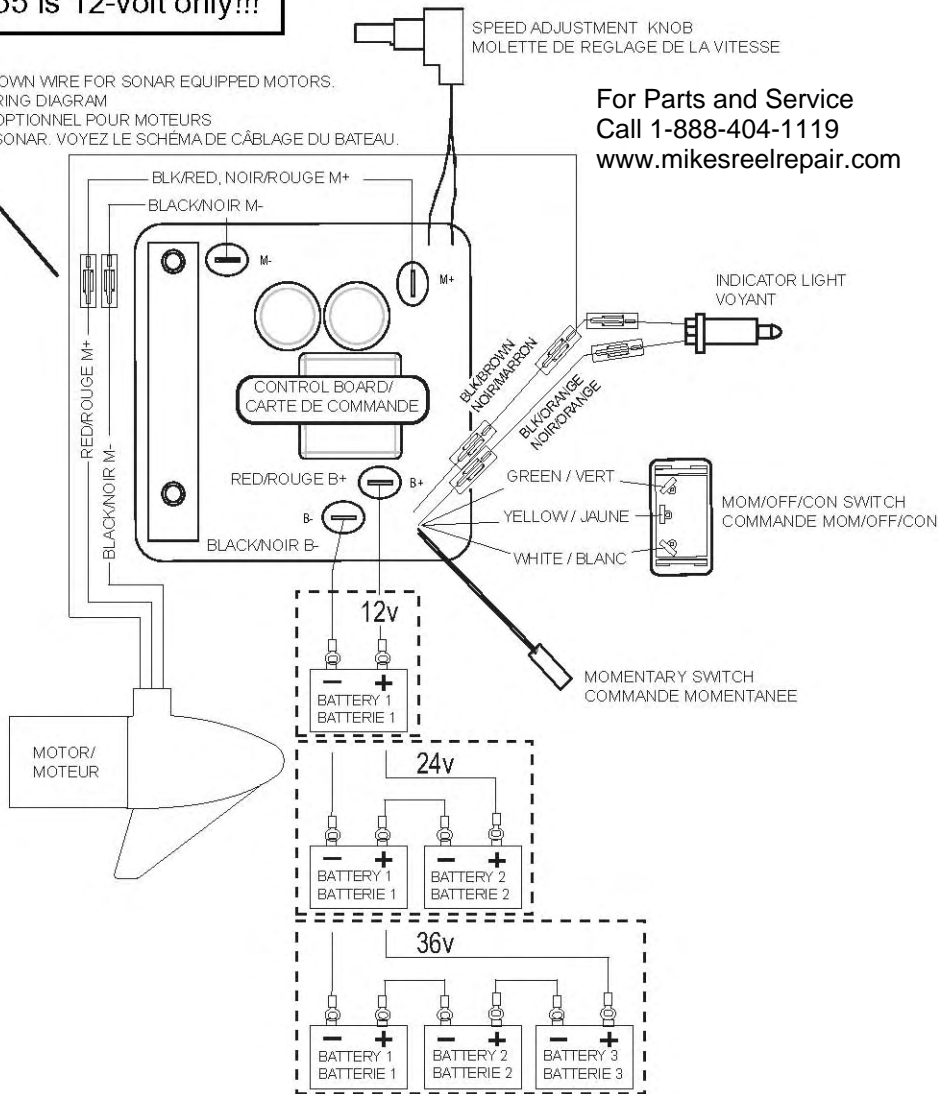


1	2-100-115	ARMATURE ASSEMBLY 12V 3.62 FW SW	47	2262703	SPRING STOP- MAXXUM	100	2262301	PULLEY- FOOT PEDAL
2	788-015	RETAINING RING	48	2153602	EYE SHAFT- 2LOCKBAR STD	101	2223430	SCREW- #8X3/4 PPH TYPE 25 SS [4.EA]
3	140-010	BALL BEARING	49	2260506	HINGE-PIN HEADLESS ZINC	103	2266400	COVER- PULLEY
4	431-101	CENTER HOUSING ASSEMBLY 3.62 FW TXT	50	2293811	YOKE- MAXXUM MOUNT,POLYPROPYLENE	104	2301310	SCREW- 8-18 X 1/2 [4.EA]
5	421-065	HOUSING BRUSH END 3.62 TXT	■	2772012	TUBE W/BEARING RACE ASSEMBLY	105	2264053	CONTROL BOARD ASSEMBLY 12V MAX
6	2-400-101	PLAIN END HOUSING ASSEMBLY	51	2272069	TUBE OUTER-21" 4 HOLES	106	2365107	INSULATING PAD (2.3X3.2)
7	144-049	BEARING - FLANGE (SERVICE CENTER ONLY)	52	2266260	BEARING RACE	110	2223455	SCREW- 10-32 X 1/2" [2.EA]
8	880-003	SEAL	53	2266220	BEARING RACE- STEEL	112	2261220	WIRE HARNESS AT & MAX
9	880-006	SEAL WITH SHIELD	■	2991762	BOWGUARD ASSEMBLY- FT CTRL,FW	113	2267505	CABLE ASSEMBLY- RIGHT (5')
10	188-036	BRUSH ASSEMBLY [2.EA]	54	2772319	BRACKET BASE TOP/EYELET ASSEMBLY	114	2267515	CABLE ASSEMBLY- LEFT (5')
11	725-050	BRUSH RETENTION- PAPER TUBE	*55	2991771	BRKT BOTTOM/BEARING FW ASSEMBLY	115	2265430	CABLE JACKET (5')
12	738-036	BRUSH PLATE W/HOLDER	56	2772352	EYELET- KIT	116	2265110	BOOT- CONTROL BOX
12B	640-013	BRUSH LEAD BLK 10 AWG	57	2263423	SCREW 5/16-18 X 1" SHCS ZINC	117	2265115	BOOT- FOOT PEDAL BASE
12R	640-117	BRUSH LEAD RED 10 AWG	58	2263425	SCREW 5/16-18 X 2 1/2 SHCS [2.EA]	118	2372100	SCREW- 8-18X5/8 THD [2.EA]
12G	640-315	GROUND WIRE 42" (US MODELS ONLY)	59	2071541	SPRING SLEEVE- UPPER	119	2261714	WASHER- MAXXUM FT PDL [2.EA]
12F	2218200	FUSE HOLDER (US MODELS ONLY)	60	2071535	SPRING SLEEVE- LOWER	120	2261901	BRACKET- CONDUIT
13	975-040	SPRING - TORSION [2.EA]	61	2262706	SPRING- BOWGUARD, NIK PL	121	2263210	BRACKET- CONDUIT ADJUST
14	337-036	GASKET	■	2994830	BAG ASSEMBLY- MAXXUM	122	2263104	NYLOCK KEEPER
15	701-008	O-RING, THRU-BOLT [2.EA]	*63	2263431	SCREW- 1/4-20 X 3.5 PPH [6.EA]	123	2263463	SCREW- 1/4-20X2" STL PPH
16	701-081	O-RING	*64	2261713	WASHER- 1/4 FLAT S/S [6.EA]	124	2261233	LEADWIRE- VARIABLE
17	830-007	SCREW-8-32 [2.EA]	*65	2263103	NUT- 1/4-20 NYLOCK-JAM SS [6.EA]	126	2020700	TERMINAL RING- 3/8" [2.EA]
18	830-042	THRU-BOLT 10-32X8.83 [2.EA]	66	2266000	BEARING BALL- STEEL [2.EA]	127	2256300	TIE WRAP- 5.5" BLACK
19	990-067	WASHER- STEEL THRUST	*67	2266115	BEARING CONE	128	2263201	CLAMP WIRE HARNESS MICRO [2.EA]
20	990-070	WASHER- NYLATRON [2.EA]	*68	2261619	COLLAR HALF- ZINC [2.EA]	129	2332103	SCREW- 6-20X3/8 THD (SS)
21	2097094	MOTOR ASSEMBLY 12V FW VARS 55#	*69	2263452	SCREW- 1/4-20X3/4 [2.EA]	133	2254031	SWITCH- MOM/OFF/CON
22	2032003	TUBE- COMPOSITE 4 HOLE 42"	71	2260283	CONTROL BOX COVER- MAXXUM	134	2266412	SWITCH PLATE- FT PEDAL
23	1378131	PROPELLER KIT	72	2372100	SCREW- 8-18 X 5/8 THD [4.EA]	135	2332103	SCREW- 6-20X3/8 THD SS [2.EA]
24	2091160	PROPELLER W.WEDGE 2	73	2265656	DECAL- COVER MAX 55/FC	136	2256301	TIE WRAP- 5.5" WHITE [2.EA]
25	2151726	WASHER-5/16 SS	74	2260150	POINTER DISC TRNSLCNT RED	137	2266414	BOTTOM PLATE- MAX FOOT PEDAL
26	2053101	NUT-PROP NYLOC	74A	2261733	WASHER-FOAM, INDICATOR	138	9953104	SCREW-8 X 1/2" (SS) [5.EA]
27	2092600	PIN-DRIVE	75	2265800	DECAL- INDICATOR	141	2266610	DECAL- ON/OFF SWITCH
28	2262605	PIN- BWGRD UPPER THREADED ZP	76	2053414	SCREW- 8-32 X 1/2 TRI-LOBE [3. EA]	142	2262535	CONTROL BOX- PLASTIC
29	2261722	WASHER- FLAT [2.EA]	77	2267800	GEAR- INDICATOR	143	2267800	GEAR- INDICATOR [2.EA]
30	2223100	NUT- TENSION 5/16-18 SS [2.EA]	78	2372100	SCREW- 8-18 X 5/8"	144	2262220	INDICATOR- DRIVE
31	2991840	MOUNT- BOW ASSY, W/O BGRD, STD FW	79	2355410	SHRINK TUBE- 3/8 OD X 2" [2.EA]	145	2261905	BRACKET/INDICATOR
32	2264241	ARM-UPPER STD FW	80	2232360	PULLEY- CABLE DRUM	146	2301310	SCREW- 8-18X1/2"
33	2293501	BUSHING- STAINLESS STEEL [4.EA]	81	2261730	WASHER- NYLON A/T CON	147	2264015	LIGHT/INDICATOR
34	2263500	BOLT- SHOULDER MAXXUM [2.EA]	82	2996247	TOP BEARING RACE /PINION DRIVE	■	2991556	CLAMP COLLAR ASSEMBLY
35	2994307	ARM-LOWER ASSEMBLY,STD,FW,EXTRA [INCLUDES 39, 43-47, 86,87]	83	2223468	SCREW- 8-32 X 7/16 [7.EA]	148	2071550	CLAMP COLLAR "A"
36	2263912	MOTOR REST (STD) FW	84	2262607	PIN- CLEVIS ZP MAXXUM BWGRD	149	2071555	CLAMP COLLAR "B"
37	2265514	DECAL- MAXXUM MOTOR REST [2.EA]	85	2260805	CLIP- SPRING ZP MAX BG	150	2072621	PIN-KNURLED
38	2261505	SPACER- MOTOR REST [6.EA]	86	2150400	PULL- GRIP	151	2281505	KNOB-CLAMP COLLAR
39	2773987	BOWPLATE- W/INSERT	87	2151700	WASHER- EYE SHAFT(.562 OD)	153	2071718	WASHER #10 NYLON RETAINING
40	2251601	ROPE (40"), MAXXUM MOUNT	89	2994496	FOOT PEDAL/PLUG ASSEMBLY	155	2073102	NUT - HEX 1/4 - 28 SS
41	2261708	WASHER- 3/8X1/2X.010 SS [2.EA]	90	2993705	PUSH- BUTTON MAGNET ASSY	156	2071560	SPLIT COLLAR
42	2267318	BEARING NYLINER [2.EA]	91	2302732	SPRING- LOWER PEDAL	200	2075120	URETHANE PAD
43	2263434	SCREW, 8-18X1" PPH [2.EA]	92	2260810	CLIP, REED SWITCH			
44	2152610	SPRING- PIN LOCKBAR [2.EA]	95	2280115	KNOB- SPEED CONTROL (VAR)			
45	2233600	LOCK BAR- BOW MOUNT	96	2263000	E-RING THU-ARC			
46	2233602	LOCK BAR REAR - ZINC	97	2266413	TENSION SCREW PLATE FTPEDAL			
	2152700	SPRING- LOCKBAR CAD.PLTD	*98	2260511	PIN- PIVOT A/T FT PDL			
			99	2992102	FT PEDAL BASE/PIN ASSEMBLY			

2888460 seal & oring kit

**Max 55 is 12-volt only!!!**

OPTIONAL BROWN WIRE FOR SONAR EQUIPPED MOTORS.  
SEE BOAT WIRING DIAGRAM  
FIL MARRON OPTIONNEL POUR MOTEURS  
ÉQUIPÉS DE SONAR. VOYEZ LE SCHÉMA DE CÂBLAGE DU BATEAU.



For Parts and Service  
Call 1-888-404-1119  
[www.mikesreelrepair.com](http://www.mikesreelrepair.com)