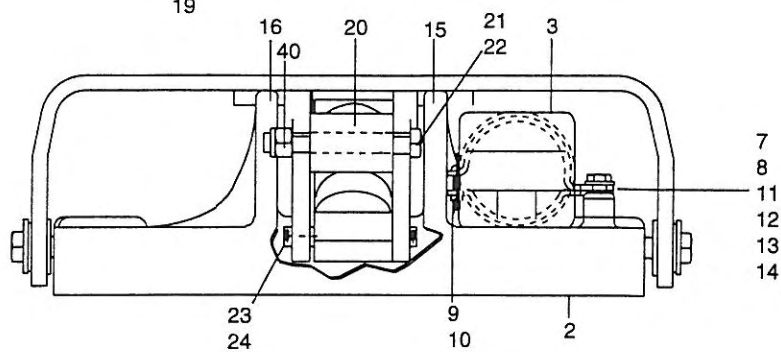
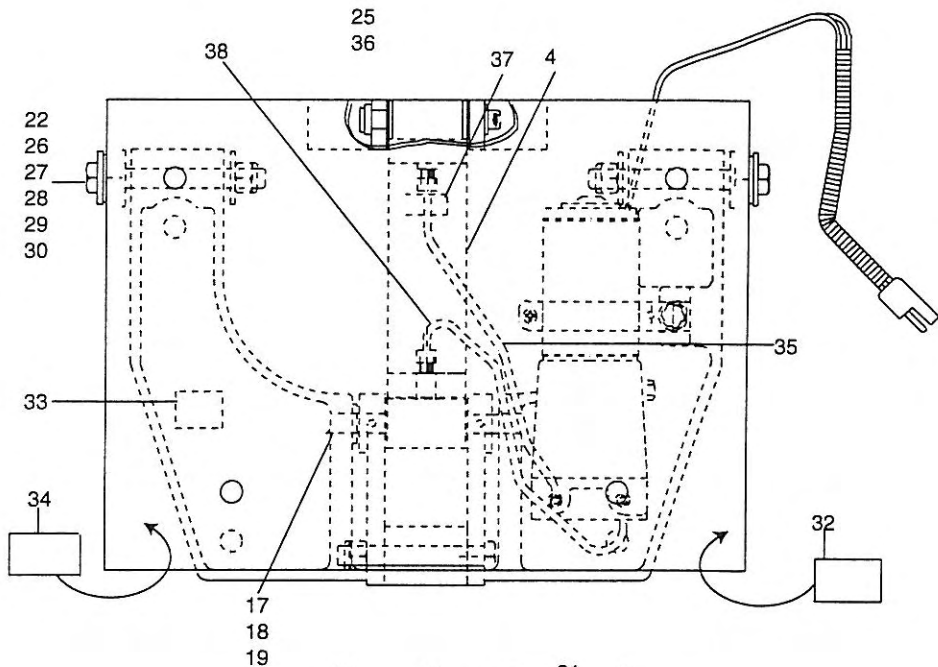


19
24
25
36



Pump/Cylinder
2774829

Reservoir
2384009

| ITEM | PART NUMBER | DESCRIPTION | QNTY |
|------|-------------|---------------------------------|------|
| 1 | 99-54201 | MOTOR PLATE ASSEMBLY | 1 |
| 2 | 99-54221 | TRANSOM PLATE ASSEMBLY | 1 |
| 3 | 99-54000 | HYDRAULIC PUMP ASSEMBLY | 1 |
| 4 | 99-54100 | HYDRAULIC CYLINDER ASSEMBLY | 1 |
| 5 | 99-53540 | • ELECTRIC CONTROL BOX ASSEMBLY | 1 |
| 6 | 99-53154 | • PUSH BUTTON SWITCH ASSEMBLY | 1 |
| 7 | 99-53423 | BRACKET- HYDRAULIC PUMP | 1 |
| 8 | 99-53426 | CLAMP- HYDRAULIC PUMP | 1 |
| 9 | 99-54675 | SCREW- 1" | 1 |
| 10 | 99-53090 | NUT- KEEP | 1 |
| 11 | 99-54672 | SCREW- 3/4 | 1 |
| 12 | 99-08236 | WASHER- FLAT 1/4" | 1 |
| 13 | 99-51778 | WASHER- SPLIT LOCK 1/4" | 1 |
| 14 | 99-51771 | WASHER- STAR LOCK 1/4" | 1 |
| 15 | 99-54263 | PIVOT BRACKET ASSEMBLY- PORT | 1 |
| 16 | 99-54273 | PIVOT BRACKET ASS'Y- STARBOARD | 1 |
| 17 | 99-54236 | PIN-PIVOT | 2 |
| 18 | 99-54669 | SCREW- SET SS 1/2" | 2 |
| 19 | 99-53132 | WASHER- BLACK NYLON .187 | 3 |
| 20 | 99-54231 | ROLLER- PIVOT | 1 |
| 21 | 99-53080 | SCREW- 3-1/2" | 1 |
| 22 | 99-53084 | NUT- NYLOCK 1/2" | 3 |
| 23 | 99-54234 | PIN- MOUNTING | 1 |
| 24 | 99-53102 | PIN- COTTER | 3 |
| 25 | 99-54450 | PIN- CLEVIS 3-1/2" | 1 |
| 26 | 99-53082 | SCREW- 4" | 2 |
| 27 | 99-53087 | WASHER- .109 | 4 |
| 28 | 99-53320 | WASHER- BLACK NYLON 1.225 X.100 | 2 |
| 29 | 99-53321 | WASHER- BLACK NYLON 1.435 X.100 | 2 |
| 30 | 99-54242 | BUSHING-FLANGE | 2 |
| 31 | 238-5604 | DECAL- SIDE PRODUCT MODEL | 2 |
| 32 | 99-53355 | DECAL- KEEP HANDS CLEAR | 1 |
| 33 | 99-53363 | DECAL- MADE IN USA | 1 |
| 34 | 99-53365 | DECAL- SECURE OUTBOARD | 1 |
| 35 | 238-8411 | HOSE- MED. PRESSURE 13" | 1 |
| 36 | 99-53128 | WASHER- BLACK NYLON .093 | 1 |
| 37 | 200-5705 | DECAL- SERIAL NUMBER | 1 |
| 38 | 238-8410 | HOSE- MED. PRESSURE 14.5" | 1 |
| 39 | 299-4818 | • BAG ASSEMBLY | 1 |
| 40 | 99-08318 | NUT- JAM | 1 |

• ITEMS NOT SHOWN IN DRAWING

| PRODUCT SPECIFICATIONS | MODEL MKN 5500 |
|-------------------------------|--|
| Horsepower Rating | Up to 65 HP |
| OutBoard Motor Types | Clamp-On or Bolt-On |
| Trim Range | 24° Trim |
| Tilt Range | 65° Tilt |
| Transom Set-back | 7 Inches |
| Weight | 30 Pounds |
| Width | 15 ³/₄ Inches |
| Depth | 6 Inches |
| Height | 11 Inches |