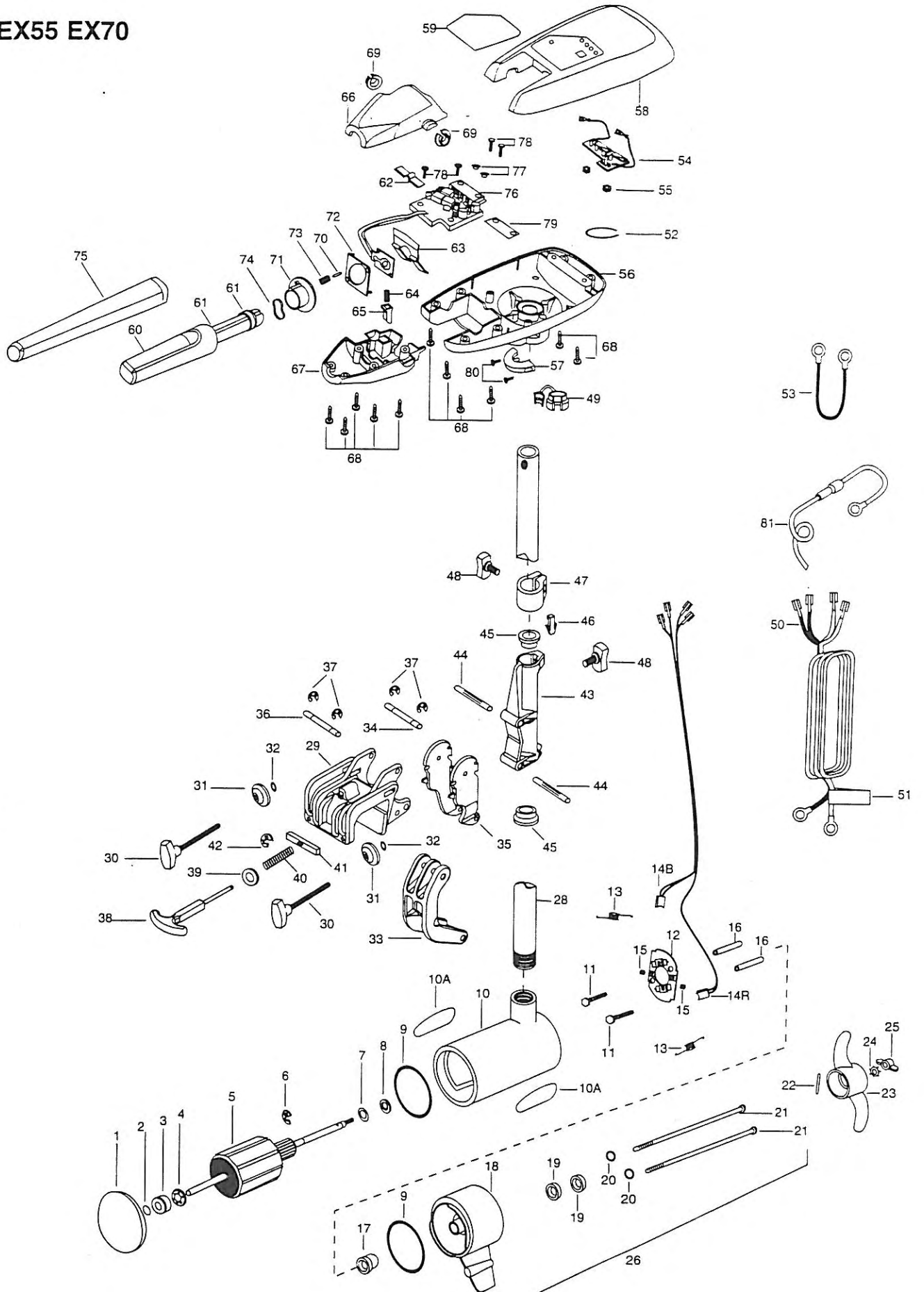
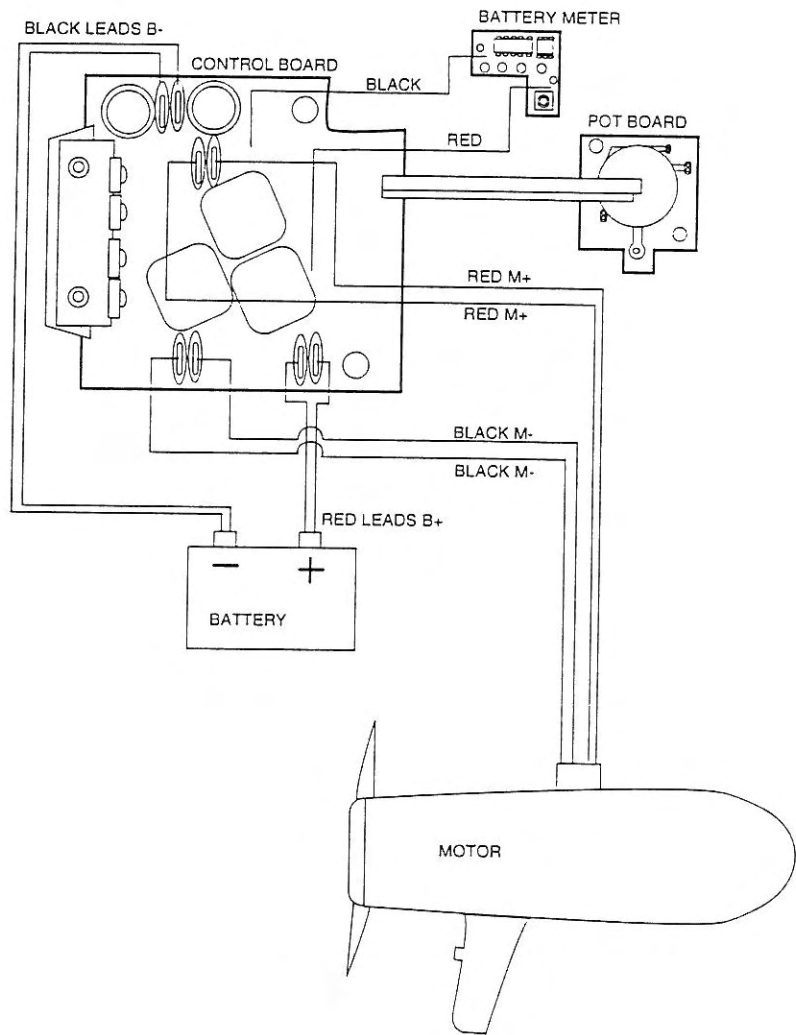


EX55 EX70



1	409024	FRONT ENDBELL	29A	2771908	BRACKET ASSY (INCLUDES 29B-32)	60	2990915	HANDLE ASSEMBLY
2	406050	THRUST DISC	29B	2031920	BRACKET-DIE CAST (ORDER 29A)	61	2060000	BEARING- HANDLE (2 REQ'D)
3	409600	SPHERICAL BEARING	30	2011375	SCREW-CLAMP KNOB	62	2302742	SPRING-DETENT(OFF) SS
4	409301	BEARING RETAINER	31	2011710	WASHER-CLAMP SCREW	63	2302743	SPRING-DETENT (HANDLE-TILT)
5	410202	ARMATURE ASSEMBLY 55EX	32	2013010	RETAINING-RING	64	2302745	SPRING-RELEASE BUTTON SS
	410203	ARMATURE ASSEMBLY 70EX	33	2034300	ARM-LINK (LOWER)	65	2303720	RELEASE BUTTON-HANDLE
6	409300	E-RING	34	2030502	PIN-PIVOT (LOWER ARM)	66	2060411	HANDLE (TOP HALF)
7	409170	THRUST WASHER- STEEL (AS REQ'D)	35	2034200	ARM-LINK (UPPER)	67	2060415	HANDLE (LOWER HALF)
8	409171	THRUST WASHER- NYLON (AS REQ'D)	36	2030501	PIN-PIVOT (UPPER ARM)	68	2303412	SCREW-6-20 X 5/8 SELF TAP
9	409460	O-RING	37	2263010	E-RING 3/8 DIA. SHAFT	69	2060005	BEARING-HANDLE PIVOT
10	409257	CENTER SECTION W/MAGNETS	38	2030980	HANDLE-TILT	70	2302600	PIN-ACTUATOR
10A	2006605	DECAL (2 REQ'D)	39	2031701	WASHER-SPRING SEAT SS	71	2302850	ACTUATOR-CAM
11	405341	BRUSH PLATE SCREW (2 REQ'D)	40	2012701	SPR NG-LOCKBAR SS	72	2302851	ACTUATOR-FWD/REV
12	409401	BRUSH PLATE ASSEMBLY	41	2033605	LOCKBAR (KOTA STOW)	73	2302740	SPRING-(ACTUATOR)
13	406083	BRUSH SPRING (2 REQ'D)	42	2033011	E-RING 5/32 SS	74	2302741	SPRING-CAM
14B	409072	BRUSH ASSEMBLY- BLACK (36"/42")	43	2032020	TUBE-GUIDE (KOTA STOW)	75	2060425	HANDLE (EXTENSION)
14R	409071	BRUSH ASSEMBLY- RED (36"/42")	44	2030500	PIN-PIVOT	76	2334006	CTRL BRD W/LEAD-12V EX55
15	409343	BRUSH SET SCREW (2 REQ'D)	45	2037300	BUSHING-HINGE		2344006	CTRL BRD W/LEAD-24V EX70
16	405151	BRUSH PLATE SPACER (2 REQ'D)	46	2032800	TENSION BLOCK	77	2301710	WASHER-INSUL. (TRANSF. BAR)
17	409000	FLANGE BEARING	47	2031520	COLLAR-DEPTH (W/O INSERT)	78	2365105	INSULATOR PAD
18	409033	REAR ENDBELL	48	2011365	SCREW-COLLAR/NEW KNOB	79	2372100	SCREW-8-18 X 5/8 SS
19	409461	SEAL (2 REQ'D)	49	2332900	STRAIN RELIEF	80	2301310	SCREW-8-18 X 1/2 SS
20	409462	O-RING- THRU BOLT (2 REQ'D)	50	2330600	LEADWIRE (10 GA-4)(RINGS)	81	2060310	GROUND WIRE-FUSED
21	409352	THRU BOLT (2 REQ'D)	51	2305800	DECAL LEADWIRE (BATTERY)			
22	2092600	PIN- DRIVE	52	2303001	RING-PIG)			
23	2331120	PROPELLER	53	2340610	CONNECTOR CABLE- (12')			
24	2091700	LOCKWASHER	54	2034035	BATTERY GAUGE-12 V. /4 LED			
25	2093100	NUT- PROP		2034036	BATTERY GAUGE-24 V. /4 LED			
26	2337070	MOTOR ASSEMBLY EX55	55	2303120	SPEED NUT			
	2317030	MOTOR ASSEMBLY EX70	56	2062582	CONTROL BOX			
28	2032057	TUBE (36")	57	2061510	COLLAR-CTRL BOX			
	2032053	TUBE (42")	58	2030210	COVER-CONTROL BOX			
29	2991962	BRACKET-KOTA STOW-ASSY	59	2335603	DECAL-COVER 55EX			
				2345603	DECAL-COVER 70EX			

55EX



70EX

