

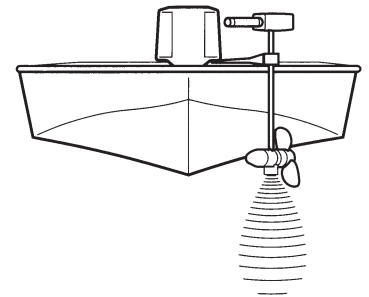
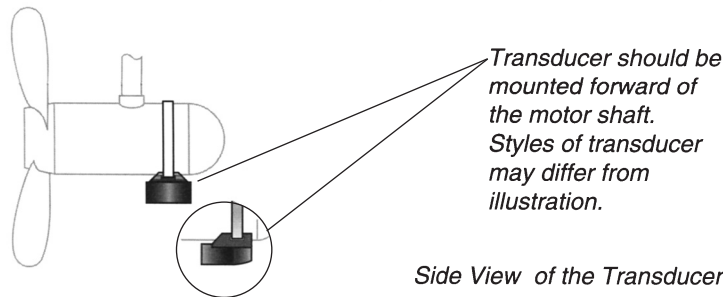
THANK YOU

Thank you for choosing Humminbird, America's #1 name in depthsounders. Humminbird has built its reputation by manufacturing top-quality, thoroughly reliable marine equipment. Genuine Humminbird accessories offer the opportunity to upgrade and expand the capabilities of your Humminbird product.

ABOUT TROLLING MOTOR MOUNT INSTALLATION

The Trolling Motor Mounted transducer is designed to mount on the trolling motor of your boat. All hardware is included for installation and operation of this Humminbird accessory. The trolling motor mount allows you to gather sonar information from the point on the boat closest to that from which you are fishing. It is important that you properly orient the transducer housing in the direction of travel of the trolling motor, to ensure an accurate depiction of the terrain under your boat.

The Trolling Motor Mounted Transducer will fit any standard trolling motor housing. Some users install this transducer in conjunction with a switch so that the standard transducer can be used for high-speed operation, and the trolling motor transducer can be used while trolling.



Trolling Motor Mount Installation

BEFORE YOU START

Following are instructions for the installation of this accessory. We encourage you to read these instructions carefully to get full benefit from your Humminbird accessory.

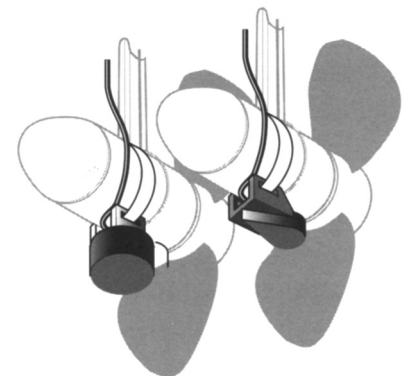
If you find that any items are missing from your installation kit, call our Customer Support Hotline.

In addition to the hardware supplied with your transducer, you will need a flat-head screw driver.

ATTACHING THE TRANSDUCER

Before attaching the transducer to the trolling motor, make certain that the motor is disconnected from all sources of electrical power. Make sure that the trolling motor is properly secured to the boat and will not shift during installation of the transducer.

Position the transducer on the underside of the motor housing with the pointed end of the transducer oriented away from the propeller. Insert the hose clamp through both openings on the top of the transducer and pull the two ends up around the motor housing. As you tighten the hose clamp, make sure that the transducer is properly aligned with the motor housing. After tightening the hose clamp, make certain that the transducer



Attachment of the Transducer on trolling motor.

is securely attached to the motor housing and will not slip off while in operation.

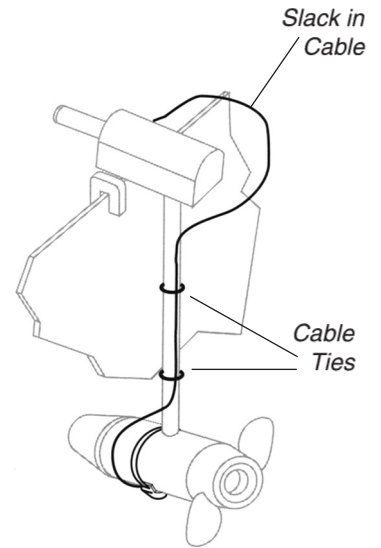
ROUTING THE CABLE

Route the transducer cable around the side of the motor housing and secure it to the motor shaft using the plastic cable ties which have been provided. As you route the cable from the trolling motor to the boat, leave sufficient slack in the cable to allow full movement and retraction of the trolling motor during normal operation.

The transducer cable has a low profile connector that must be routed to the point where the depthsounder is mounted. Every boat is different and there may be several ways to route the cable.

Inside the boat, there is often a channel or conduit which is used for other wiring, which can be used to route the transducer cable forward.

Avoid routing the cable in areas where it may be damaged or interfere with normal boating operations. The transducer cable should not be cut or shortened, and care should be used not to damage the cable insulation. Also, be sure to route the cable as far as practical from the antenna cable of VHF radios to reduce the possibility of interference.



Routing the Cable

CONNECTING THE CABLE

Route the transducer cable to the Humminbird unit.

Insert the transducer cable into the appropriate terminal slot. The cable connectors are labeled, and there are corresponding labels on the connector holder on the rear of the unit. The slots are keyed to prevent reversed installation, so be careful not to force the connector into the holder.

Refer to your owner's manual for the correct procedure for installing the cable connectors to the Humminbird unit.

Your depthsounder is now ready for operation.

CUSTOMER SUPPORT

Your Humminbird accessory is designed for trouble-free operation and is backed by the same one-year warranty as our depthsounders, VHF Marine-band radios, and GPS Navigation equipment. Refer to your Humminbird product Operations Manual for the specific details of this warranty. If you have any questions, call our Humminbird Customer Support Hotline:

1-800-633-1468

Throughout the U.S. and Canada, hours are Monday-Friday, 8:00 a.m. to 5:00 p.m. Central time.

Humminbird
678 Humminbird Lane
Eufaula, AL 36027
www.humminbird.com