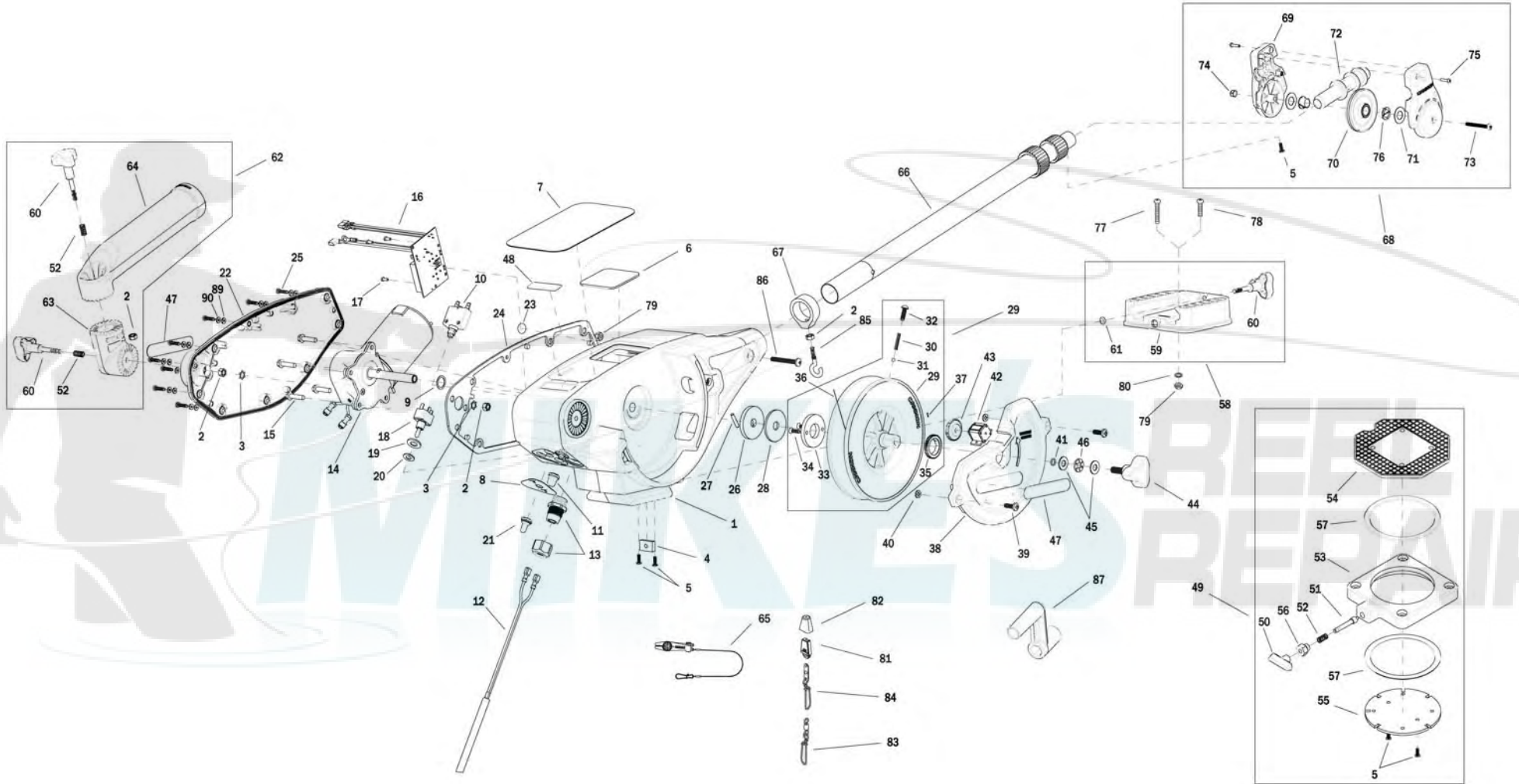


1902305 Magnum 10 STX



1902305 Magnum 10 STX

In the U.S.A., replacement parts may be ordered directly from CANNON Parts Dept., 121 Power Drive, Mankato, Minnesota 56001. Be sure to provide the MODEL and SERIAL numbers of your downrigger when ordering parts. Please use the correct part numbers from the parts list. Payment for any parts ordered from the CANNON parts department, may be by cash, personal check, Discover Card, MasterCard or VISA. To order, call 1-800-227-6433 or FAX 1-800-527-4464.

| | | | | | | | | |
|----|----------|-------------------------------|----|---------|----------------------------|----|---------|--------------------------------|
| 1 | 3392524 | FRAME, RAW | 31 | 3396020 | BALL BEARING, REEL | 61 | 3393000 | RING, RETAINING, 1/4" SHAFT |
| 2 | 2263102 | NUT-HEX 1/4-20 SS 300SRS | 32 | 3393474 | SCREW-DRIVE #14 X .75" SS | 62 | 3991904 | ASSY-CNN, ROD HOLDER |
| 3 | 3394722 | INSERT, PUSH ON | 33 | 3391906 | PLATE, CLUTCH REEL | 63 | 3394200 | ARM, DUAL AXIS-ROD HOLDER |
| 4 | 3394702 | INSERT, BASE | 34 | 3393418 | SCREW-#10-16X.75"HI-LO SS | 64 | 3392033 | TUBE, DUAL AXIS RD HLDR |
| 5 | 2372100 | SCREW-#8-18 X 5/8 THD* (SS | 35 | 0233560 | GEAR, REEL, STD | 65 | 2277002 | ASY HDW RELEASE UNIVERSAL |
| 6 | 3396510 | LENS-WINDOW MAG DTIV | 36 | 3775397 | 400' CABLE | 66 | 2210821 | ASY BOOM TELESCOPIC |
| 7 | 3395580 | DECAL, MAG 10 | 37 | 9100070 | CON LEADER SLEEVE | 67 | 3397900 | BALL HOOK EXTRUSION |
| 8 | 3396601 | SEAL PLATE, MAGNUM | 38 | 3390205 | COVER, REEL | 68 | 3990200 | ASSY-CNN, BOOM END |
| 9 | 3391730 | WASHER, SEAL, DATA | 39 | 2373434 | SCREW-1/4-20 X 3/4 SS PPMS | 69 | 3392520 | CASE, PULLEY |
| 10 | 3398205 | CIRCUIT BREAKER, 25 AMP | 40 | 2071718 | WASHER #10 NYLON RETAINING | 70 | 3392300 | SHEEVE, PULLEY |
| 11 | 1221491 | BOOT CIRCUIT BREAKER | 41 | 3394605 | O-RING, KNOB | 71 | 3391507 | SHIM, BOOM END |
| 12 | 3993220 | ASSY, POWER CABLE, RETRO(SUB) | 42 | 0220477 | METER 3 DIGIT | 72 | 3392013 | BOOM END, NEW |
| 13 | 3392920 | STRAIN-RELIEF, HEYCO M4502 | 43 | 0833561 | GEAR, COUNTER | 73 | 3393485 | SCREW-#10-24X1.75 PPHMS S |
| 14 | 3996515 | MOTOR/GEAR HOUSING ASSY | 44 | 3390103 | KNOB, SOFT GRIP, CLUTCH | 74 | 3393124 | NUT-#10-32 NYLOK 18-8 SS |
| 15 | 3393411 | SCREW-FLANGE HEX HI-LO | 45 | 9010310 | HDW WASHER, THRUST | 75 | 2303412 | SCREW-#6-20 X 5/8 SELF TAP |
| 16 | 3394006 | ASY PCA, MAGNUM | 46 | 9010280 | HDW BEARING, THRUST | 76 | 3390005 | BEARING-NYLINER, #8L5-1/2-F |
| 17 | 2302104 | SCREW-#6-20 X 3/8 | 47 | 3395634 | DECAL- SIDE, BLACK | 77 | 9280720 | HDW SCR 1/4 20X2 TRUSS HD PHIL |
| 18 | 2286792 | SWITCH, TOGGLE | 48 | 3395710 | DECAL-PIC BLACK | 78 | 9280713 | HDW SCR 1/4 20X1 1/2 TRUSS HEA |
| 19 | 3391722 | WASHER, FLAT | 49 | 2998905 | CNN ASY, SWIVEL BASE | 79 | 2263103 | NUT-1/4-20 NYLOCK SS |
| 20 | 2286793 | HDW SHIM SWITCH .75X.1 | 50 | 2249001 | HDW KNB RELEASE PIN | 80 | 2371712 | WASHER-FLAT 9/32 X 5/8 X 1/16 |
| 21 | 1221490 | BOOT SWITCH | 51 | 3392600 | PIN - RELEASE | 81 | 9100100 | CON TERMINATOR |
| 22 | 3390203 | COVER, MOTOR | 52 | 2287002 | HDW SPRING RELEASE PIN | 82 | 9100101 | CUSHION SLEEVE TERMINATOR |
| 23 | 401966-3 | MIC VENT,PTFE LU LRA MATERIAL | 53 | 2267001 | ASY PLATE BASE MACHINED | 83 | 9100620 | HDW SNAP SWIVEL 4/0-37 MARLIN |
| 24 | 3396902 | GASKET, COVER | 54 | 2267002 | BRK PLATE SWIVEL | 84 | 2200148 | ASY SNAP & INSULATOR |
| 25 | 3393480 | SCREW-#10X.75"PPH HI-LO SS | 55 | 3391919 | PLATE, INDEX TS | 85 | 9040040 | HDW BOLT 1/4-20 ROLLEDTHD HOOK |
| 26 | 3391907 | PLATE, CLUTCH SHAFT | 56 | 2277001 | HDW RETAINER RELEASE NUT | 86 | 3393461 | SCREW-1/4-20 X 2" SS, PPH |
| 27 | 3392640 | PIN, DRIVESHAFT | 57 | 9010004 | HDW BEARING SWIVEL BASE | 87 | 3390910 | HANDLE-CRANK, MANUAL |
| 28 | 3391711 | PAD, CLUTCH | 58 | 3991930 | ASY, MNT BASE DT/MAG | 89 | 3391732 | WASHER, SEALING |
| 29 | 3397907 | REEL, ROUGH, 3.75" OD | 59 | 3391955 | BASE-MOUNT, DT PRO/MAG ST | 90 | 3394602 | WASHER, FLATE, #8, SS |
| 30 | 3392707 | SPRING, REEL | 60 | 3390101 | KNOB-CANNON, SOFT GRIP | | | |

Magnum Series Wiring Diagram

NOTE:
ORIENT TOGGLE
SWITCH WITH
THE PURPLE
WIRE DOWN.

